

VN-KEYPAD FOR USE WITH VICON VMS



Product at a Glance

- ▶ Compatible with Valerus and ViconNet systems, including VMDC
- ▶ Connection via USB as a serial device
- ▶ 3 function proportional joystick for pan, tilt and zoom
- ▶ Jog/Shuttle for playback
- ▶ Backlit rubber keys
- ▶ Fits both right and left-handed operators

Overview

The VN-KEYPAD is a desk-top style multi-function system keypad designed to operate with Vicon Valerus® VMS and ViconNet® Digital Video Management system, including the Virtual Matrix Display Controller (allows ViconNet functioning to simulate as a traditional matrix control system). The keypad connects to Valerus, ViconNet or VMDC as a serial device via its USB cable. Up to 5 keypads can connect to the same VMS server.

The keypad provides for standard camera, monitor and preset selections, as well as standard PTZ, lens, auxiliary relay, lens speed, auto-pan and auto-iris controls. Macros can also be started and stopped. Additionally, the keypad provides access to multi-screen controls, Quick Playback and Playback Speed.

The keypad functions can be inverted to accommodate either right-handed (joystick on the right) or left-handed (joystick on the left) control with a simple setup procedure. The function label is then easily removed and turned 180° to correctly identify the key functionality.

Operation

The keypad employs a three function, proportional joystick for pan, tilt and zoom control. A twist control on the joystick controls zoom functions; focus and iris are simple pushbutton controls. A standard numerical keypad, as well as camera and monitor select keys, are provided.

A set of keys offers special functions, including display options, Macro and Mode selection, Preset and Alarm. Shift will be used with other keys for additional functions (future feature).

A Jog/Shuttle wheel, which provides Frame Advance or Reverse and Fast Forward and Reverse, and buttons for Record, Freeze, Play and Stop are provided.

Finished in black, the keypad has tactile robust push buttons. Power is supplied via the USB.

SPECIFICATIONS

Controls and Connectors

Connector:	USB cable for connection as serial device and power
Front Panel Controls:	Numeric Keypad: number entry. Camera Key: enter camera number. Monitor Key: enter monitor number. Quick Playback: 15, 30, 60, 90 sec. Select Layout (Multi-Screen), Full Screen. Preset Key: enter preset number. Alarm Key: future use; Aux key: select auxiliary relay. Focus Near/Far Keys: manually focus camera view. Iris Open/Close Key: manually open or close camera iris. Joystick: deflect to pan and tilt mechanism in desired direction; diagonal motion provides simultaneous pan/tilt; twist top to zoom in/out. Jog/Shuttle: frame advance/reverse, fast forward and reverse: record, freeze, play and stop video. Macro: start/stop macros. Shift key for additional functionality (future use).

Compatibility

Vicon Systems:	Valerus; ViconNet/VMDC version 8.1 and higher
----------------	---

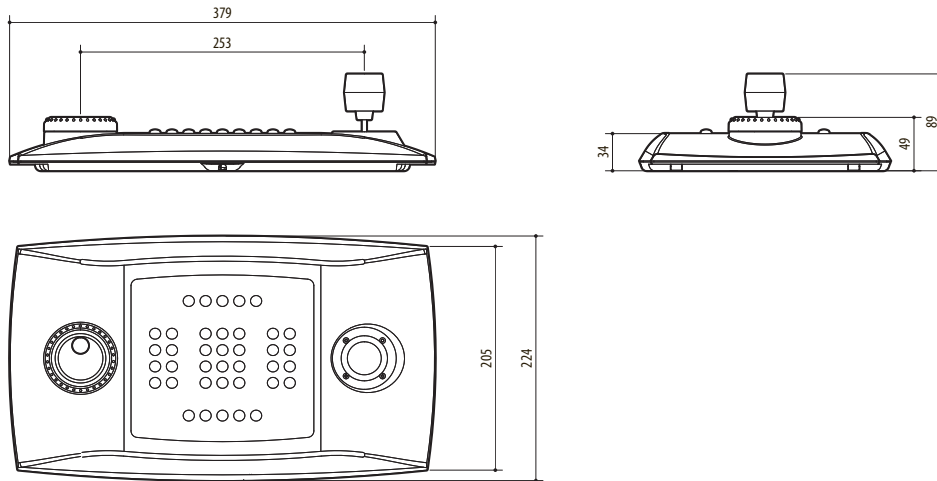
Mechanical

Construction:	Plastic
Finish:	Black with white buttons
Mounting:	Desk-top
Dimensions:	Height: 3.5 in. (89 mm) Width: 15 in. (379 mm) Depth: 8.8 in. (224 mm)
Weight:	3.0 lb (1.4 kg)
Input Power:	Via USB
Power Consumption:	350 mA max

Environmental

Operating Conditions:	32 to 113° F (0 to 45° C)
Humidity:	Up to 90% relative, non-condensing
Approvals:	FCC Class B; CE, UL cUL listed
Warranty:	3 years

Dimensional Drawing (mm)



Data Sheet Number: V279
Vicon Data Sheet Number: 8009-7279-01-00

Dated: 1/2020
Specifications subject to change without notice.
Vicon, Valerus, ViconNet and their logos are registered trademarks of Vicon Industries Inc.
Copyright © 2020 Vicon Industries Inc. All rights reserved.