

**HIGH-DEFINITION LED MONITOR
VM-623LED-3**



Product at a Glance

- ▶ 23.8-inch
- ▶ Convenient front panel and OSD control
- ▶ HDMI, VGA and CVBS (BNC) inputs
- ▶ NTSC/PAL
- ▶ 16:9/4:3 aspect ratio

Vicon's LED monitor provides clear, bright displays and offer a choice of mounting options, including desk or wall using a standard VESA wall-mount kit. This professional security monitor is built with commercial grade "A" panels built to run 24/7/365. It has built-in speakers and HDMI, CVBS (BNC) and VGA inputs. The monitor offers a 3D comb-filter with de-interlace capability for high-definition video reproduction.

The monitor is easily operated from front panel buttons. Connectors for power, video, audio and external equipment are located on the back of the monitor.

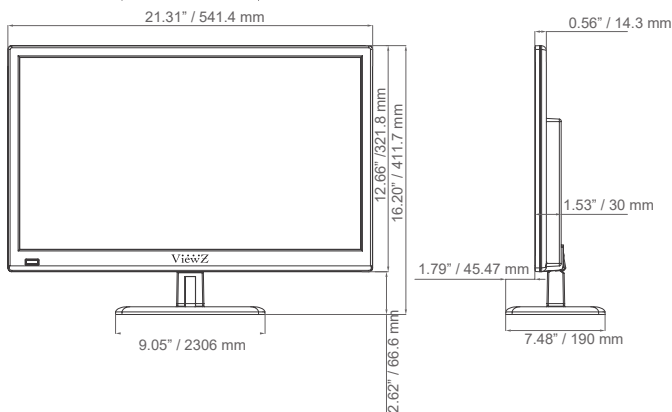
Ordering Information

Monitor	Model
23.8" LED Monitor, 1080p (1920x1080) HD resolution, stereo	VM-623LED-3

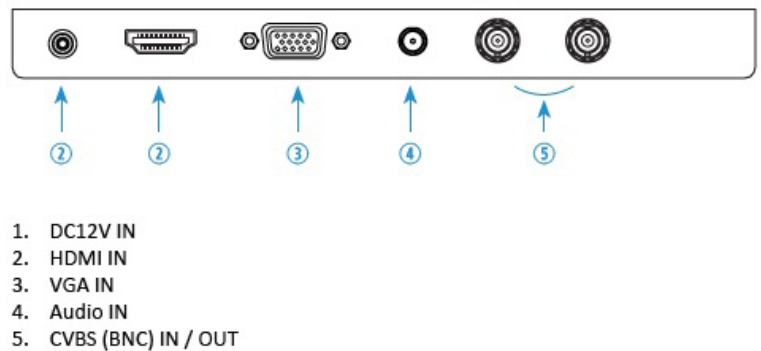
SPECIFICATIONS

Model	VM-623LED-3
Screen Size:	23.8 inches
Resolution:	1920 x 1080 @ 60 Hz
Contrast Ratio:	1000:1
Brightness:	250 cd/m ²
Aspect Ratio:	16:9; 4:3
Color Depth:	16.7 M
Viewing Angle (H/V):	178°/178°
Pixel Pitch:	0.2745 x 0.2745 mm
Response Time:	<8 ms
Composite Video In/Out:	1/1; loop through
VGA In (15-pin D-Sub):	1
HDMI In:	1
Audio In (RCA type):	1
Built-In Speaker:	2W x 2
Languages Supported:	English, Spanish, French, German and Italian
Filter Type:	3D Comb-Filter; De-Interlace; PIP/PBP; Image Retention
Input Power:	12 VDC; 100-240 VAC, 50/60 Hz
Current:	2 A @12 VDC
Power Consumption:	24 W
Mounting:	Standard VESA compatible 75x75 mm or Desk (stand included)
Dimensions (WXHxD):	21.31 x 16.2 x 1.53 in. (541.4 x 411.7 x 39 mm); refer to dimension diagram
Weight:	8.04 lb (3.65 kg)
Operating Temperature/ Humidity:	14° ~ 122° F (-10° ~ 50° C). 5 ~ 90% relative.
Certifications:	FCC (A), CE, RoHs
Country of Origin:	China
Warranty:	3 years

Dimension Drawing [in. (mm)]



Rear Panel Connections



Data Sheet Number: V204-20-02
Vicon Data Sheet Number: 8009-7204-20-01

Specifications subject to change without notice.
Vicon and their logos are registered trademarks of Vicon Industries Inc.
Copyright © 2021 Vicon Industries Inc. All rights reserved.