

In-Ceiling Mounting Bracket Kit

V2000D-IC with V2XXXD-DCB Support Bracket

For Indoor Dome Camera

Quick Guide

1. Product Overview

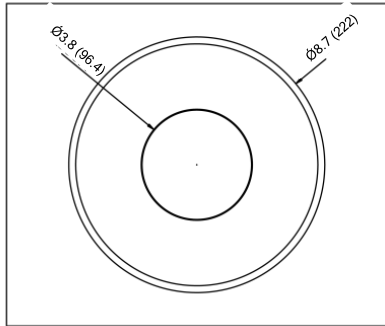
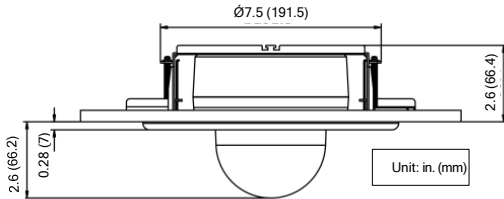


FIGURE 1-1: PHYSICAL DIMENSIONS

2. Installation and Mounting

Package Contents

Check that all the items listed below are included in the packing box.

- Ceiling Mount * 1
- Ceiling Plate * 1
- M4x8-BK Screws * 2
- Mounting Template * 1
- Printed Quick Guide * 1

Required Tools

The following tools might be helpful for completing the installation.

- Phillips Head Screwdriver * 1
- Ceiling Cutting Tool * 1
- Wire Cutters

Installation & Mounting Procedure

1. Remove the ceiling tile. Use the mounting template included to cut a 7.8 in. (198 mm) hole in the tile.

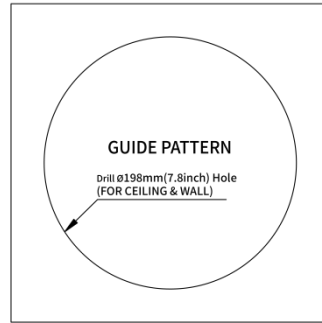


FIGURE 2-1: MOUNTING TEMPLATE

2. Position the support bracket over the hole and replace the tile back into the ceiling. Insert the ceiling mount bracket into the hole so that the arms clip in the railings of the support bracket.

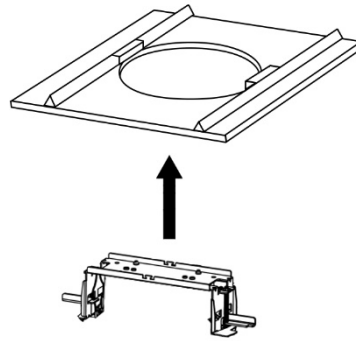


FIGURE 2-2: INSERT THE CEILING MOUNT

3. Using a Phillips screwdriver, turn the 2 bracket screws to extend the locking arms. Tighten the screws to compress the locking arms to the ceiling.

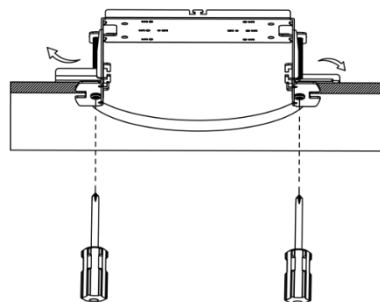


FIGURE 2-3: SECURE THE CEILING MOUNT

4. Using the screws provided, fasten the camera onto the in-ceiling mount. Position the camera. Install the camera cover onto the camera.

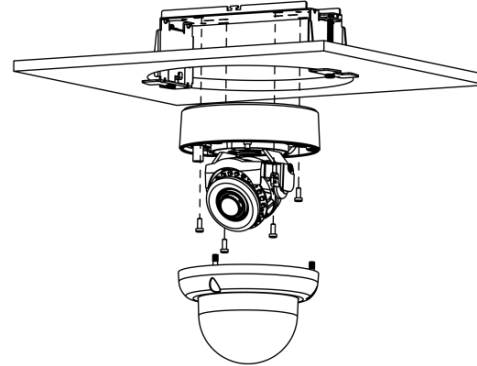


FIGURE 2-4: CAMERA INSTALLATION

Note that the screw holes highlighted in red (below) are the exact locations for securing the screws with the camera body.

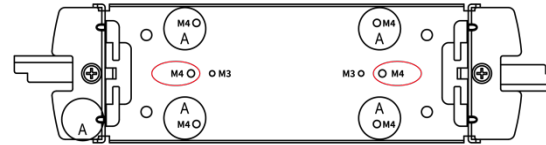


FIGURE 2-5: CEILING MOUNT INTERNAL

5. Attach the 2 spring hooks from the ceiling plate to the mounting tabs of the ceiling mount and evenly push the ceiling plate upward until it clicks into place.

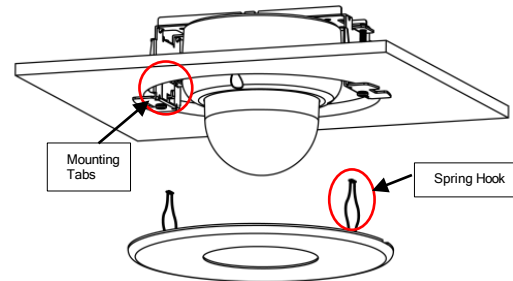


FIGURE 2-6: ASSEMBLE THE CEILING PLATE

6. The in-ceiling installation is complete, as the following figure shows.

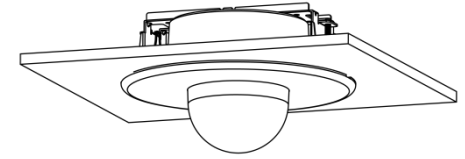


FIGURE 2-7: MOUNTING COMPLETION

The figure below illustrates the internal view of completed mounting of indoor camera and in-ceiling mounting bracket kit with support bracket.

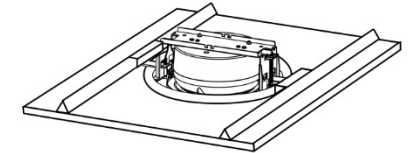


FIGURE 2-8: MOUNTING COMPLETE - INSIDE VIEW

Notes & Warnings

- The hole for the in-ceiling mount has a diameter of 7.8 in./198 mm. Make sure the cutout hole is of correct size for proper fit.
- When drilling the hole, make sure the ceiling thickness is no more than 1.4 in. (35 mm) to maintain its structural integrity.
- Make sure there are no damaged parts prior to assembly.

3. Specification

Material	PC + ABS
Color	White
Dimensions	Ceiling Mount: 2.5 x 9.9 x 2.4 in. (63 x 250.5 x 60.5 mm) Ceiling Plate: Inner - Φ 3.8 in. (96.4 mm), outer - Φ 8.7 in. (222 mm)
Weight	0.9 lb (400 g)

Product specifications subject to change without notice.
Vicon part number: 8009-8318-87-00 8/2024
Copyright ©2024 Vicon Industries Inc. All rights reserved.