

**V2008-W0950-LPR**

## Roughneck AI LPR Camera Kit



### Overview

The Vicon Roughneck® AI License Plate Recognition (LPR) Camera lets you capture, store and search on an unlimited number of license plates, and visually examine details like vehicle color, make, and model in impressive 8 MP detail—all from a single camera. This solution is ideal for single-lane, stop-and-go applications, such as drop-off/pick-up lines, gated entrances, stop-and-go toll booths, and drive-thrus.

The LPR Camera Kit includes an 8 MP camera with a 9-50 mm lens for 100 ft LPR detection. Also included in the kit are the camera housing with an IR illuminator and wall mount.

#### See all the details for accurate identification

Thanks to the camera's Starlight low-light color imaging, you'll see vivid colors and sharp details in the dark, which would be overlooked in traditional IR black-and-white images offered by some other LPR cameras.

#### The benefits of embedded LPR

The LPR analytic is embedded directly on the camera, for a more economical solution that doesn't degrade server performance or compromise bandwidth. Having the LPR analytic on the camera also allows for an LPR solution for users who are not integrated with Vicon's Valerus™ VMS.

### Product at a Glance

- ▶ 8 MP resolution camera provides display of vehicle details such as decals, plate expiration dates, and body damage
- ▶ Zoom and focus settings for lens can be adjusted remotely
- ▶ LPR software embedded on the camera increases server performance and bandwidth
- ▶ Create customized lists of license plates that will generate an alert (as well as a number of other actions) upon a vehicle's entry
- ▶ On screen alarm handling procedures provide step-by-step instructions for proactively addressing alarms
- ▶ Fast and accurate setup accounts for vehicle speed and camera height/position/distance
- ▶ Supports license plates from over 70 countries
- ▶ Search by plate for faster and easier investigations

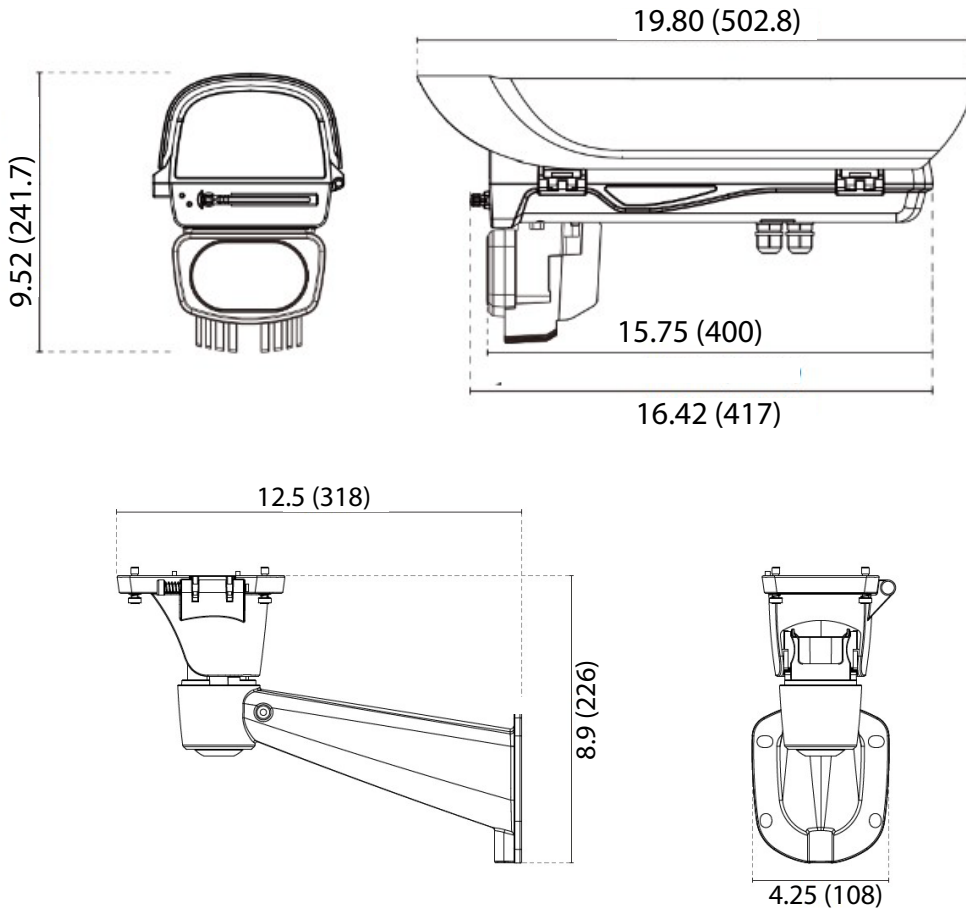
## Specifications

Model	V2008-W0950-LPR
<b>Camera</b>	
Image Sensor:	1/1.8 inch
Max Resolution:	3840 x 2160 (8 MP)
Image Settings:	Digital image effects: defog, flip and mirror. Configurable brightness, contrast, saturation, hue, sharpness. White balance. Backlight Compensation (BLC). HLC. Gain control. Gamma correction. Electronic shutter speed. Day/night mode. Dynamic Noise Reduction (3 DNR). Motion detection (4 programmable zones). Privacy masking (8 masks). Dynamic ROI. Event notification.
Intelligent Video Analytics:	Motion, Tampering/Defocus, Intrusion, Loitering, Line Cross, Tailgating, Object Left/Removed, Crowding. License Plate Recognition (LPR). Museum Search.
Electronic Shutter Speed:	Auto (1/2 ~ 1/10,000 sec), manual
Day/Night Performance:	True day/night (IR cut filter)
Wide Dynamic Range	True WDR (120 dB)
Minimum Illumination:	Color: 0.02 lux; BW: 0.01 lux
<b>iCS Lens</b>	
Imager Format:	1/1.8 in.
Focal Length:	9 - 50 mm; remote zoom and focus
Aperture:	f/1.5
Field-of-View (16:9):	46.1° x 26.3°
Iris:	Stepping motor
IR:	Yes
<b>Network Video Transmission</b>	
Network:	10/100Base-T/TX, RJ-45
Image Compression:	H.265/H.264 and M-JPEG
Resolution:	8 MP: 3840x2160, 3264x1840, 2592x1944, 2688x1520, 2048x1536, 1920x1080 (1080P), 1280x960/720, 800x600, 640x480, 640x360, 320x240
Protocol:	ARP, DHCP, DNS, FTP, HTTP, HTTPS, HLS, ICMP, IGMP, IPv4/6, LDAP, NTP, RTSP/RTCP/RTP, RTMP, QoS, SMTP, SNMP v1/2c/3, TCP, TLS/TTLS, UDP, UPnP, 802.1X, UPnP, Bonjour, DDNS, PPPoE; ONVIF S/G/Q/T
Frame Rate:	Max. 30 fps (25 fps, PAL)
Streams:	Triple streaming. Single: 8 MP@30fps; Dual: 8 MP@30fps + 640x480@30fps; Triple: 8 MP@30fps + 640x480@30fps + 320x240@30fps
Audio:	1 audio input/1 audio output; G.711 (a-law, $\mu$ -law); audio level alarm
Alarm:	1 alarm input/1 alarm output
Users:	Live: 10 users
Web Browser:	Safari®, Firefox®, Google Chrome®, Microsoft® Edge™
Security:	IP address filtering, HTTPS encrypted data transmission, SSL, IEEE 802.1X, Digest Authentication, Advanced Security
Local Recording:	Micro-SD slot provided for SDHC/SDXC card, 128 GB max; 32 GB card supplied. Requirements: Class 10; read speed: 100 MB/sec; write speed: 60 MB/sec.
<b>Electrical</b>	
Power Input:	60 W/90 W IEEE 802.3bt PoE, 50 ~ 57 VDC
Power Consumption (PoE):	37.5 W. Camera: 13.5 W; De-icing Window Heater: 10 W; Fan: 2 W; IR Illuminator: 12 W

## Specifications

<b>Model</b>	<b>V2008-W0950-LPR</b>
<b>Mechanical</b>	
Viewing Window:	Chemically strengthened glass
Construction:	Cast aluminum
Cabling:	4x M16 waterproof cable glands
De-icing Window Heater:	≤68° F (20° C) On; ≥86° F (30° C) Off
Fan:	≥95° F (35° C) On; ≤77° F (25° C) Off
Coating:	White epoxy powder coating
Weight:	13 lb (5.9 kg)
IR Features:	2 LEDs; Beam Angle: 10°-40°, DIP switch selectable; Distance: 164-459 ft (50-140 m); Wavelength: 850 nm
Ratings:	Weather: IP68; Vandal: IK10
<b>Controls and Connectors</b>	
Housing Connectors:	PoE Power Distribution Board: PoE In/Out/LED; I/O terminal block; IR connections/DIP switch
Camera Connectors:	Network/PoE: RJ-45 CAT 5. Alarm Input/Output: terminal block. Audio In/Out: screw terminal. Reset button. Default button. Micro SD card slot for SDHC/SDXC card (supplied).
<b>Environmental</b>	
Operating Conditions:	Outdoor rated Temp: -4° F ~ 149° F (-20° C ~ 65° C); -4° F ~ 122° F (-20° C ~ 50° C) with IR LEDs
<b>Regulatory and Approvals</b>	
Approvals:	UL, FCC Class A, CE, ONVIF Profile: S/T/G/Q; RoHS
Country of Origin:	Taiwan
Warranty:	5 years
<b>Operational</b>	
Region of Interest:	Provides calibration pattern for easy setup
Lists:	Standard Allow List, Block List and Custom lists; 50 user defined lists, including the 4 pre-defined lists. Schedules and rules management for each lists. 10,000 max plates per list.
List Synchronization:	Yes
Event Responses:	Valerus; Alarm Out; FTP
Event Logs:	Search capabilities with captured image and plate thumbnail
Customize Storage Options:	Yes
Number of Events on SD Card:	Up to 800,000 events on 32 GB card included (25,000 events/GB)
Recognition Rate:	95%-99%, depending on country and installation conditions
Direction Detection:	Yes
<b>Recommended Installation Parameters</b>	
Vehicle Speed:	15 mph (20 km/hr) max
Detection Time:	100 - 1000 ms
Character Height:	Pixels: 13 min; 25 recommended
Target Distance:	16 - 100 ft (5 - 30.48 m)
Maximum Horizontal/ Vertical Angle:	35° max; 20° recommended/35° max; 20° recommended
Lane Coverage:	Two max; 1 recommended
Application:	Low-speed vehicle entry/exit

## Dimensional Drawings [in. (mm)]

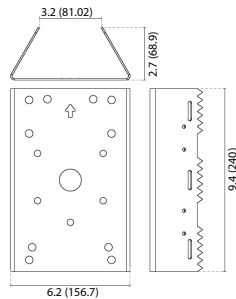


## Ordering Information

Model	Description
V2008-W0950-LPR	Includes 8 MP box camera, micro SD card, iCS lens and housing with IR illuminator and wall mount
Accessories	
V-HSG-PM	Pole mount adapter
VPOE-INJ-60BT	Single port PoE gigabit injector; 60 W output; NDAA/TAA compliant



V-HSG-PM



Data Sheet Number: V318-76-00  
 Vicon Data Sheet Number: 8009-7318-76-00

Specifications subject to change without notice.  
 Vicon, Roughneck and their logos are registered trademarks of Vicon Industries Inc.  
 Copyright © 2023 Vicon Industries Inc. All rights reserved.

Microsoft is a registered trademark and Edge is a trademark of Microsoft Corporation.

Chrome is a registered trademark of Google LLC.  
 Firefox is a registered trademark of Mozilla Corp.  
 Safari is a registered trademark of Apple Inc.