



AI ANALYTICS INSIDE

## V2005D-PTZ Roughneck AI PTZ Dome Camera



### Overview

Available in 5 MP, Vicon's Roughneck® AI PTZ features advanced imaging and advanced analytics in a durable package. The camera delivers exceptional views with a powerful 30x optical/8x digital zoom along with a motorized focus and autoiris lens. It's rated for IP66 and housing is IK10 rated to withstand any type of environment.

### AI ANALYTICS INSIDE

#### Perform more meaningful post-event forensic searches with object classification analytics

The camera's object classification analytics allow it to distinguish people and vehicles from other objects in a scene. Object-only recording, and the ability to filter out "environmental noise" that can trigger a motion detection alarm (e.g., shadows, swaying trees and bushes, etc.), significantly increases operational efficiencies. The result?

- Filter out non-relevant video for faster incident resolution
- Reduce storage requirements (by limiting recording to just object-based motion)
- Diminish nuisance alarms
- Respond to genuine threats quicker, and with fewer resources

### Product at a Glance

- ▶ 5 MP resolution
- ▶ Starlight low-light technology provides clear color images in extreme low-light conditions
- ▶ True WDR (120 dB); built-in varifocal autoiris lens
- ▶ 30X optical zoom; 8X digital zoom
- ▶ Two-way audio; two alarm inputs/alarm outputs
- ▶ Heater/blower system for temperature control
- ▶ Integrated IR provides uniform illumination in total darkness for high-quality video from 492 feet (150 m) away

## Specifications

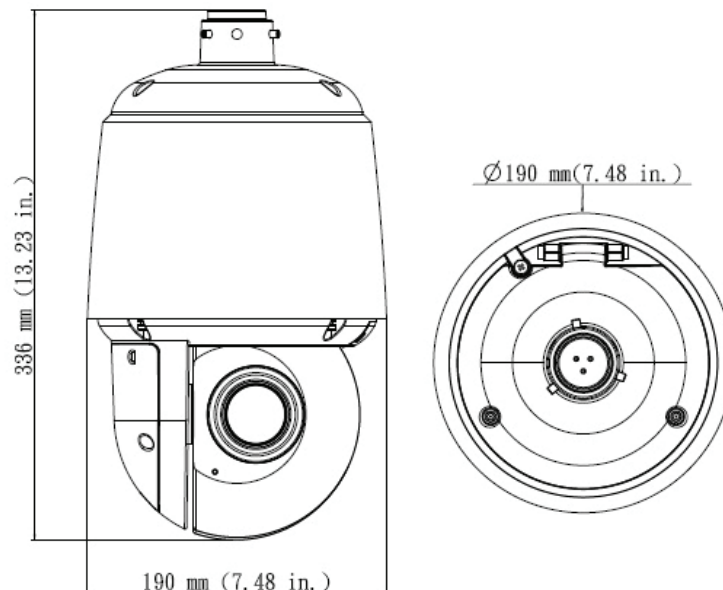
Model	V2005D-PTZ
<b>Camera</b>	
Image Sensor:	1/2.8 inch Sony
Max Resolution:	5 MP
Image Settings:	Digital image effects: defog, flip and mirror. Configurable brightness, contrast, saturation, hue, sharpness. White balance. Backlight Compensation (BLC). HLC. Gain control. Gamma correction. Electronic shutter speed. Day/night mode. Dynamic Noise Reduction (3 DNR). Motion detection (4 programmable zones). Privacy masking (8 masks). Dynamic ROI. Event notification. Electronic Image Stabilization (EIS).
Intelligent Video Analytics:	5 profile/presents: Motion, Tampering/Defocus, Intrusion, Loitering, Line Cross, Tailgating, Object Left/Removed, Crowding. Museum Search.
AI-Based Object Classification Analytics:	Vehicles, people, animals
Electronic Shutter Speed:	1/30 ~ 1/10,000 sec
Day/Night Performance:	True day/night (IR cut filter)
Wide Dynamic Range	True WDR (120 dB)
Minimum Illumination:	Color: 0.03 lux; B/W: 0.01 lux
IR Distance:	Adaptive IR; Smart IR (Automatic): 492 ft (150 m)
<b>Lenses</b>	
Focal Length:	5.2 - 148 mm (30X optical zoom); digital 8X
Max. Aperture:	f/1.3 - f/4.8
Iris:	Autoiris
Zoom/Focus Adjust:	Motorized focus and zoom
Field-of-View:	2.14° - 58.1° (H); 1.2° - 33.8° (V)
<b>Network Video Transmission</b>	
Network:	10Base-T, 100Base-TX, RJ-45
Image Compression:	H.265/H.264 and M-JPEG
Resolution:	2592×1944/1520, 2560×1440, 2048×1536, 2304×1296, 1920×1080 (1080P), 1600×1200, 1440×1080, 1600×900, 1280×960/720, 800×600, 640×480, 640×360, 320×240
Protocol:	ARP, DHCP, DNS, FTP, HTTP, HTTPS, HLS, ICMP, IGMP, IPv4/6, LDAP, NTP, RTSP/RTCP/RTP, RTMP, QoS, SMTP, SNMP v1/2c/3, TCP, TLS/TTLS, UDP, UPnP, 802.1X, UPnP, Bonjour, DDNS, PPPoE; ONVIF S/G/T/M
Frame Rate:	Max. 30 fps (25 fps, PAL)
Streams:	Triple streaming. Single: 5 MP@30fps; Dual: 5 MP@30fps + 5 MP@10fps; Triple: 5 MP@30fps + 5 MP@10fps + 640×480@30fps
Users:	Live viewing for up to 10 clients
Web Browser:	Safari®, Firefox®, Chrome™, Microsoft Edge™
Security:	IP address filtering, HTTPS encrypted data transmission, SSL, IEEE 802.1X, Digest Authentication, Advanced Security
Local Recording:	Micro-SD slot provided; customer supplied SDHC/SDXC card

## Specifications

Model	V2005D-PTZ
<b>Mechanical</b>	
Construction:	Aluminum base; polycarbonate dome bubble
Pan Range:	360° continuous pan
Pan Speed:	300°/second maximum
Tilt Range:	95° (-15° to 90°)
Tilt Speed:	160°/second maximum
Presets:	128
Tours/Pattern:	4/4
Alarm:	2 alarm inputs; 2 alarm output
Audio Capability:	Two-way audio; G.711 compression
Mounting:	Mounting accessories available. Refer to Ordering Information
Dimensions:	7.5 in. (190 mm) (Diam) x 13.2 in. (336 mm) (H); refer to dimensional diagram
Weight:	11.5 lb (5.2 kg)
<b>Electrical</b>	
Input Power:	PoE++ (IEEE 802.3bt, Class 7); 24 VAC (+20%/-10%); 48 VDC (±10%)
Current (IR on):	2.5 A @24 VAC; 1.25 A @48 VDC
Power Consumption:	Total Power: 48 W. PTZ Camera: 11 W; Pan/Tilt Function: 12 W; IR: 19 W; Heater: 5.5 W; Blower: 0.9 W. Note that blower is always on; heater turns on when temperature is lower than 59° F (15° C)
<b>Controls and Connectors</b>	
Indicators and Connectors:	Power: 24 VAC/48 VDC: terminal block. Network/PoE: RJ-45. Audio In/Out and Alarm In/Out: screw terminal. SDHC/SDXC Card Slot. Reset button. Default button. Indicators: LED flashes for booting and software updating
<b>Environmental</b>	
Operating Conditions:	Temp: -40° to 140° F (-40° to 60° C) Humidity: up to 90%, relative, non-condensing Limitations in certain weather conditions, including blizzard conditions and freezing rain with high winds.
Approvals:	UL; FCC Class A; CE; IP66; IK10 (housing); ONVIF S/G/T/M; RoHS
Country of Origin:	Taiwan
Warranty:	5 years

## Dimensional Drawing

[in. (mm)]



## Ordering Information

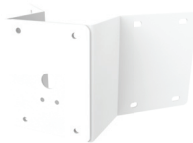
Model	Description
V2005D-PTZ	<b>5 MP PTZ Dome</b> 5.2 - 148 mm with 30X optical zoom; 492 ft (150 m) IR; includes object classification analytics; requires PoE injector.
<b>Mounts and Accessories</b>	
V1001-JB	<b>Junction Box</b> Assists with wiring management of the PTZ's connectors. Requires wall mount (V1001-WM), which affixes to the J-Box. J-Box can mount directly to a wall, or to the corner mount (V1001-CM) or pole mount (V1001-PL).
V1001-WM	<b>Wall Mount (medium)</b> For mounting the PTZ directly to a wall, J-Box, corner mount, or pole mount.
V1001-CM	<b>Corner Mount</b> For mounting the PTZ to a corner. Requires wall mount (V1001-WM). The corner mount also accommodates the J-Box (V1001-JB).
V1001-PL	<b>Pole Mount</b> For mounting the PTZ to a pole. Requires wall mount (V1001-WM). The pole mount also accommodates the J-Box (V1001-JB).
V1001-PM	<b>Pendant Mount</b> For suspending the PTZ from the ceiling.
SVFT-UWM-1	<b>Wall Mount (large)</b> For mounting the PTZ directly to a wall, corner mount, or pole mount.
SVFT-UCM-1	<b>Hard Ceiling Mount</b> For affixing the PTZ directly to a hard ceiling.
SVFT-UPM-2	<b>Parapet Mount</b> For mounting the PTZ over the raised barrier at the edge of a roof.
V-24CMB-4	<b>Corner Mount</b> For mounting the PTZ to a corner. Requires wall mount (SVFT-UWM-1).
V-20B-A-4	<b>Pole Mount</b> For mounting the PTZ to a pole. Requires wall mount (SVFT-UWM-1).
VPOE-INJ-60BT	<b>Single-Port PoE</b> 60 W. For PTZ power management.
VPOE-INJ-90BT	<b>Single-Port PoE</b> 90 W. For PTZ power management.



V1001-JB



V1001-WM



V1001-CM



V1001-PL



SVFT-UWM-1



SVFT-UCM-1



V1001-PM



SVFT-UPM-2



V-24CMB-4



V-20B-A-4



VPOE-INJ-60BT



VPOE-INJ-90BT

Data Sheet Number: V320-20-03

Specifications subject to change without notice. Vicon and their logos are registered trademarks of Vicon Industries Inc.

Copyright © 2024 Vicon Industries Inc. All rights reserved.