



AI ANALYTICS INSIDE

V2000-WIR-360 Series Roughneck AI Remote Positioning Multi-Sensor



Overview

A single Roughneck® AI Multi-Sensor (with a single IP address and cable) replaces four separate cameras, at a fraction of the cost, to cover the same viewing area. For example, Vicon's 32MP Multi-Sensor can take the place of four individual 8MP cameras. You'll get the same overall coverage, but you're reducing the time and expense of installation, setup, tuning and maintenance, because you're doing these things once instead of four times.

The flexible lens positioning options allow one of the four cameras to point straight down, eliminating blind spots. And because you can remotely position all four multi-sensor cameras in minutes—right from your desk—you're not dependent on an onsite technician just to reposition a camera.

AI ANALYTICS INSIDE

Perform more meaningful post-event forensic searches with object classification analytics

The camera's object classification analytics allow it to distinguish people and vehicles from other objects in a scene. Object-only recording, and the ability to filter out "environmental noise" that can trigger a motion detection alarm (e.g., shadows, swaying trees and bushes, etc.), significantly increases operational efficiencies. The result?

- Filter out non-relevant video for faster incident resolution
- Reduce storage requirements (by limiting recording to just object-based motion)
- Diminish nuisance alarms
- Respond to genuine threats quicker, and with fewer resources

vicon-security.com

Product at a Glance

- ▶ Four 5 MP or 8 MP sensors deliver an impressive 20 MP or 32 MP overall resolution
- ▶ Setup and reposition cameras in minutes, right from your computer
- ▶ Pre-defined presets deliver 180°, 270° and 360° views, and you can define additional presets of your own
- ▶ Starlight low-light technology delivers color images in near total darkness - no need for the camera to switch to B&W mode
- ▶ Integrated IR provides uniform illumination in total darkness for high-quality video from 131 feet (40 m) away
- ▶ Four independent sensors, but only a single IP and Ethernet cable required



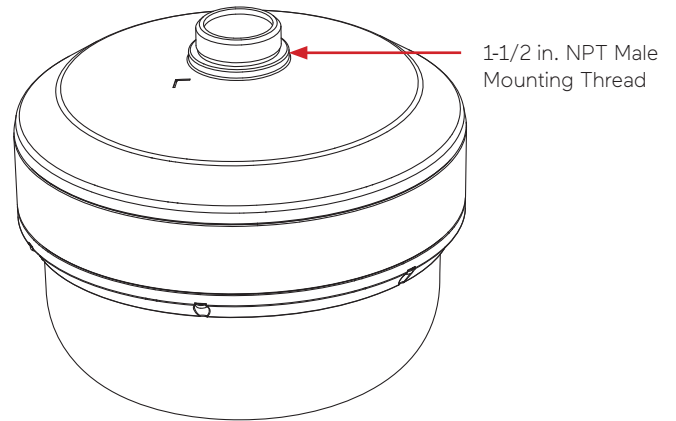
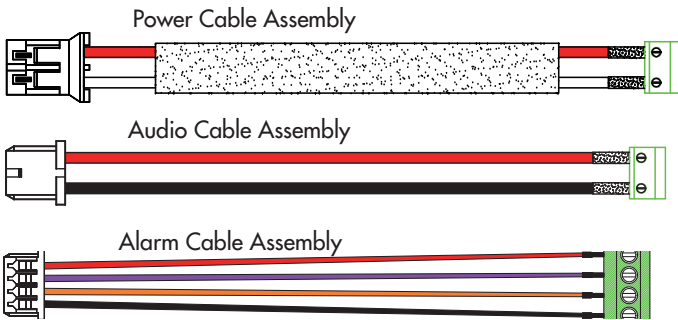
Specifications

Model	V2020-WIR-360	V2032-WIR-360
Camera		
Device Type:	Indoor/outdoor multi-sensor panoramic cameras	
Image Sensor:	4X 1/2.8" 5 MP CMOS progressive scan Starlight	4X 1/1.8" 8 MP CMOS progressive scan Starlight
Max Resolution:	4X 2592 x 1944 (5 MP)	4X 3840 x 2160 (8 MP)
Image Settings:	WDR (120 dB). BLC. Configurable brightness, contrast, saturation, sharpness. Mirror. Flip. White balance. Exposure. Gain Control. Privacy masks (5). Day/night, True day/night ICR. Audio. Event handler and notifications.	
Video Content Analysis:	Video Motion Detection (VMD; 5 areas); Motion, Tampering/Defocus, Intrusion, Loitering, Line Cross, Tailgating, Object Left/Removed, Crowding. Museum Search.	
AI-Based Object Classification Analytics:	Vehicles, people, animals	
Electronic Shutter Speed:	1/7 ~ 1/20,000 sec	
Day/Night Performance:	True Day/Night with mechanical IR cut filter; Auto, Forced Day, Forced Night and Scheduled	
Wide Dynamic Range (WDR):	120 dB, True WDR	
IR Distance:	Up to 131 ft (40 m)	
Min Illumination @30 IRE:	Color: 0.03 lux; B/W: 0.01 lux, IR Off; 0 lux, IR On	Color: 0.02 lux; B/W: 0.01 lux, IR Off; 0 lux, IR On
Preset Positions:	360°, 270° Wide, 270° Tele, 180° Wide, 180° Tele, User Defined (2)	
Adjustment:	Remotely adjustable: Pan: 360°; tilt: 90°; each module can be positioned remotely along a track	
Lenses		
MFZ Lens:	4x 3.1 - 10 mm; 3.2X optical zoom	4x 3.6 - 10 mm; 2.8X optical zoom
Max Aperture:	f/1.4 - f/2.8	f/1.5 - f/2.8
Iris:	DC autoiris or P-iris (Manual/Auto)	P-iris (Manual/Auto)
Angle of View:	H: 32° (tele) - 96° (wide); V: 24° (tele) - 69° (wide)	H: 46° (tele) - 98° (wide); V: 26° (tele) - 54° (wide)
Network Video Transmission		
Network:	10/100 Mbps Ethernet; RJ-45	
Image Compression:	H.265/H.264 and M-JPEG	
Streaming:	Triple streaming	
Max. Frame Rate:	Up to 30 fps at 20 MP	Up to 30 fps at 32 MP
Audio:	Two way audio: 1 audio input, 1 audio output; G.711 8 KHz/8 bits	
Protocols:	IPv4/IPv6; TCP/IP; UDP; SNMP v2c/v3; HTTP; RTP; RTSP; RTCP; SMTP; HTTPS; UPnP; FTP; SSL; DNS; NTP; QoS; LDAP (client); DynDNS; Zeroconfig; ONVIF S/G/T/M	
Users:	Up to 10 clients	
Web Browser:	Internet Explorer®; Mozilla Firefox®; Google Chrome®	
Security:	Password protection, IP address filtering, HTTPS, IEEE 802.1X network access control	
Alarms	1 alarm input, 1 alarm output	
Mechanical and Electrical		
Pan/Tilt Range:	Remote adjustment: Pan: 360°; Tilt: 90° (Default value 83°)	
Construction:	Die-cast aluminum housing; polycarbonate dome	
Mounting:	Surface-mounted (wall or ceiling); includes mounting cap. Mounting options include wall arm, pendant, J-Box, pole, corner, ceiling.	
Controls and Connectors:	I/O cable assemblies supplied for power, audio (2X) and Alarms. PoE/Network: RJ-45. Alarm In/Out: terminal blocks. Power: 2-pin terminal block. Audio In/Out: phone jacks. SD card (2X).	
Dimensions:	H: 5.6 in. (142.3 mm); Diam: 9.7 in. (247.5 mm); refer to dimensional diagram	
Weight:	7.55 lb (3.425 kg)	
Input Power:	PoE++ (IEEE802.3bt Class 5); 24 VDC; 24 VAC	

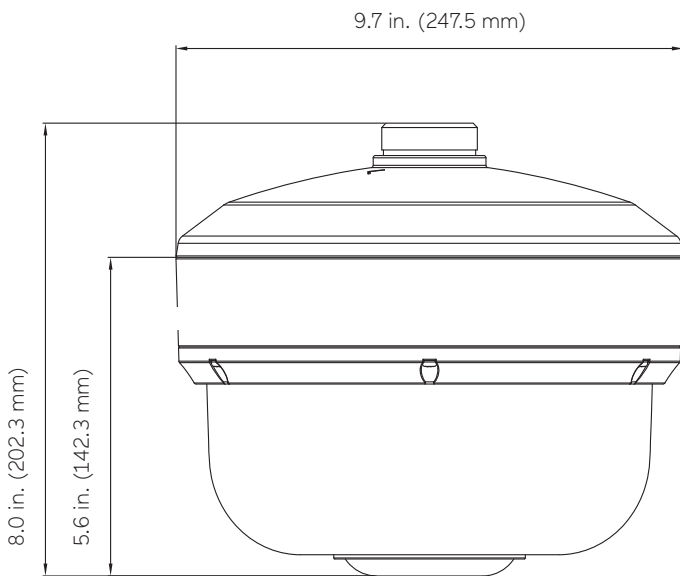
Specifications (cont'd)

Model	V2020-WIR-360	V2032-WIR-360
Mechanical and Electrical (cont'd)		
Current:	1.7 A	
Power Consumption:	40 W max	
Environmental		
Operating Conditions:	Temp: -40° to 131° F (-40° to 55° C) IR Off. Humidity: Up to 90%, relative, non-condensing.	
Approvals:	FCC Class A, CE, IP66, IK10; UL; ONVIF S/G/T/M	
Country of Origin:	Taiwan	
Warranty:	5 years	

Connectors



Dimensional Drawing



Ordering Information

Model Number	Description
V2020-WIR-360	20 MP Dome 4X 3.1-10 mm motorized zoom and focus; autoiris/P-iris.
V2032-WIR-360	32 MP Dome 4X 3.6-10 mm motorized zoom and focus; P-iris.
Mounts and Accessories	
V1001-WM	Wall Mount (medium) For mounting the dome directly to a wall, J-Box, corner mount, or pole mount.
V1001-JB	Junction Box Assists with wiring management of the dome's connectors. Requires wall mount (V1001-WM), which affixes to the J-Box. J-Box can mount directly to a wall, or to the corner mount (V1001-CM) or pole mount (V1001-PL).
V1001-CM	Corner Mount For mounting the dome to a corner. Requires wall mount (V1001-WM). The corner mount also accommodates the J-Box (V1001-JB).
V1001-PL	Pole Mount For mounting the dome to a pole. Requires wall mount (V1001-WM). The pole mount also accommodates the J-Box (V1001-JB).
V1001-PM	Pendant Mount For suspending the dome from the ceiling.
V2000-360-ICD	In-Ceiling Mounting Kit Allows the multi-sensor camera to be installed in a drop ceiling.
SVFT-UPM-2	Parapet Mount For mounting the dome over the raised barrier at the edge of a roof.
SVFT-UCM-1	Hard Ceiling Mount For affixing the dome directly to a hard ceiling.
VPOE-INJ-60BT	Single-Port PoE 60 W. For PTZ power management.



V1001-WM



V1001-JB



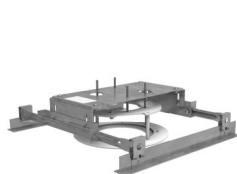
V1001-CM



V1001-PL



V1001-PM



V2000-360-ICD



SVFT-UPM-2



SVFT-UCM-1



VPOE-INJ-60BT