

Overview

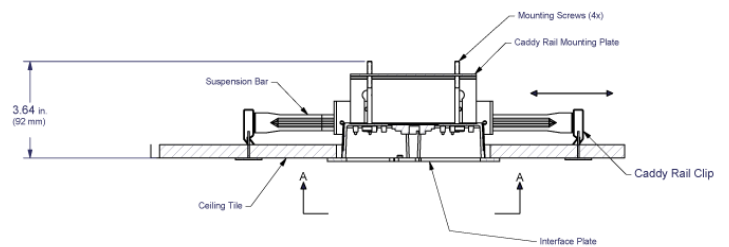
Vicon's V940 Dome and Bullet Camera series offers several mounting options to increase its versatility. For the V940D, these include in-ceiling mounting kits for both dropped and hard ceilings and a pendant housing adapter kit that allows the V940D to mount on a variety of mounting options. The V940B bullet camera has a back box adapter.



V940D-ICD In-Ceiling Mounting Kit

- For dropped ceiling installation
- Kit contains mounting bracket and all required hardware
- Plate Diameter: 7 in. (177.8 mm)
- Bracket: 9.25 in. (235 mm) x 4.75 in. (120.7 mm)
- Rails: 19 in. (483 mm) long; extend to fit 24 in. (609.6 mm) ceiling tile
- Height: 4.3 in. (109.2 mm)
- Weight: 2.75 lb (1.25 kg)

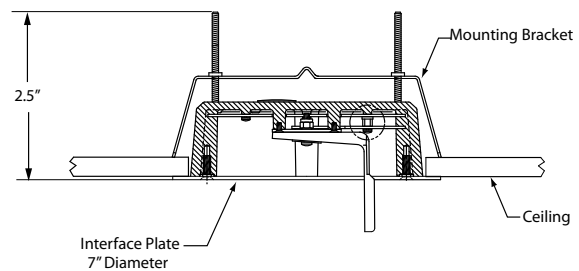
Dimensional Data



V940D-ICH In-Ceiling Mounting Kit

- For hard ceiling installation
- Kit contains mounting bracket and all required hardware
- Plate Diameter: 7 in. (177.8 mm)
- Bracket Height: 2 in. (51 mm)
- Height: 2.5 in. (63.5 mm)
- Weight: 0.72 lb (0.33 kg)

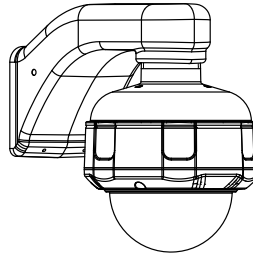
Dimensional Data



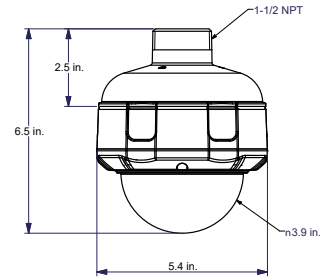
V940-PH Pendant Housing



Dimensional Data



V940D with Pendant Adapter and SVFT-WM-1



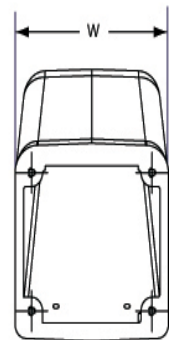
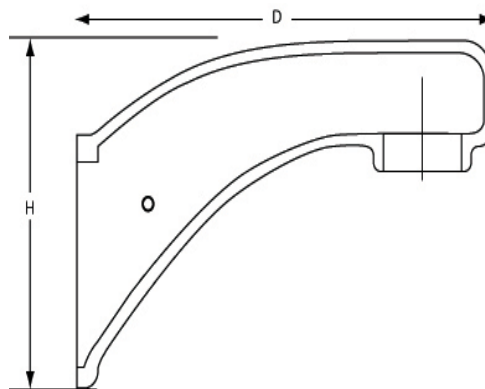
V940D with Pendant Adapter

- Pendant Housing adapter kit allows the V940D camera dome to be mounted to the full line of SVFT-1 mounting accessories
- Construction: Cast aluminum
- Diameter: 5.75 in. (146 mm)
- Height: 2.5 in. (63.5 mm)
- Weight: 0.5 lb (0.25 kg)

Wall Mount SVFT-WM-1



Dimensional Data



- Wall mounting camera domes
- Cast aluminum construction
- 1-1/2-inch NPT-F pipe thread
- Height: 4.9 in. (124 mm)
- Width: 3.5 in. (89 mm)
- Depth: 7.5 in. (191 mm)
- Weight: 1.4 lb (0.6 kg)

Application

- Requires the V940-PH for mounting

Data Sheet Number: V258-50

Vicon Data Sheet Part Number: 8009-7258-50-02

Dated: 5/2017

Specifications subject to change without notice.

Vicon and its logo are registered trademarks of Vicon Industries Inc.

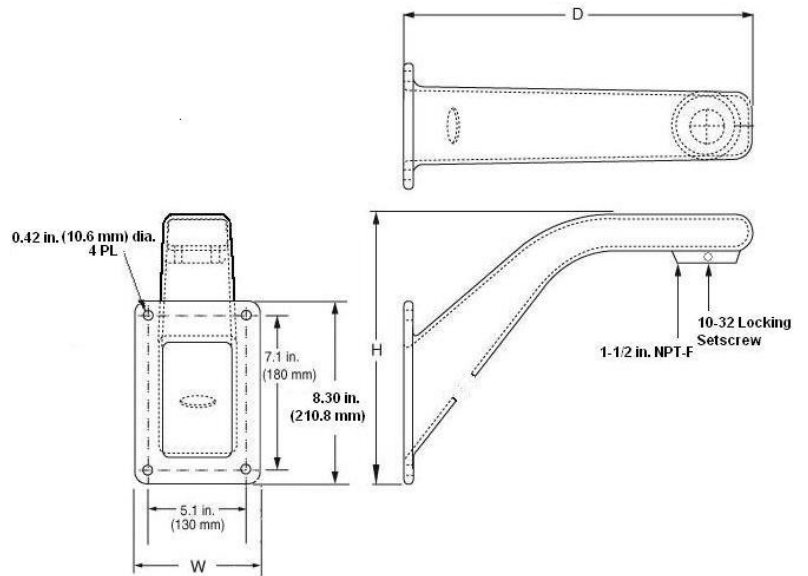
Copyright © 2017 Vicon Industries Inc. All rights reserved.

Wall Mount SVFT-UWM-1



- Wall mounting camera domes
- Cast aluminum construction
- 1-1/2-inch NPT-F pipe thread
- Height: 11.6 in. (295 mm)
- Width: 6.3 in. (160 mm)
- Depth: 14.6 in. (371 mm)
- Weight: 4.5 lb (2.0 kg)

Dimensional Data



Application

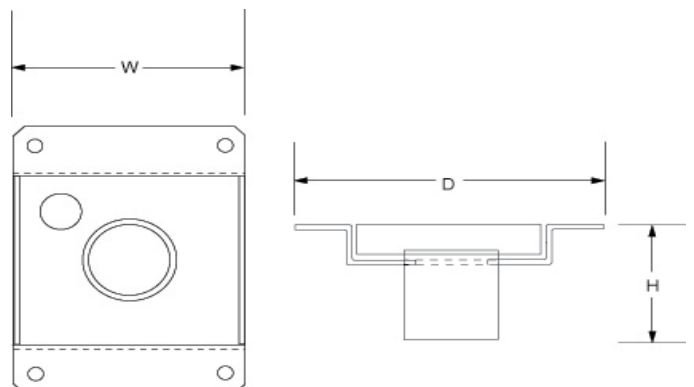
- Requires the V940-PH for mounting

Ceiling Mount SVFT-UCM-1



- Ceiling mounting
- Carbon steel construction
- 1-1/2-inch NPT-F pipe thread
- Height: 3.0 in. (76 mm)
- Depth: 9.1 in. (231 mm)
- Width: 6.0 in. (152 mm)
- Weight: 3.3 lb (1.5 kg)

Dimensional Data



Application

- Requires the V940-PH for mounting

Parapet Mount SVFT-UPM-1

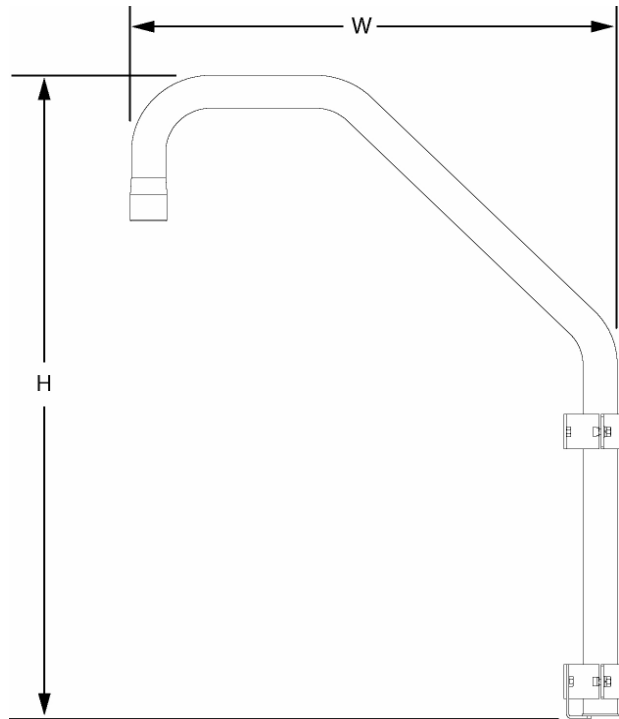


- Designed specifically for parapet mounting camera domes
- Aluminum and steel construction
- 1-1/2-inch NPT-F pipe thread
- Height: 37 in. (940 mm)
- Width: 27 in. (686 mm)
- Load Rating: 40 lb (18 kg)
- Weight: 7.6 lb (3.4 kg)

Application

- Requires the V940-PH for mounting

Dimensional Data

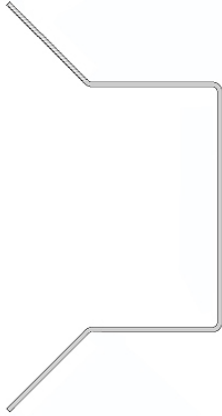


Adapter Plate V940-PLATE



- Designed specifically for mounting V940D cameras to a 4x4 electrical box
- Aluminum construction
- Diameter: 6.25 in. (159 mm)
- Weight: 0.26 lb (0.12 kg)

Corner Mount Bracket V24CMB-1

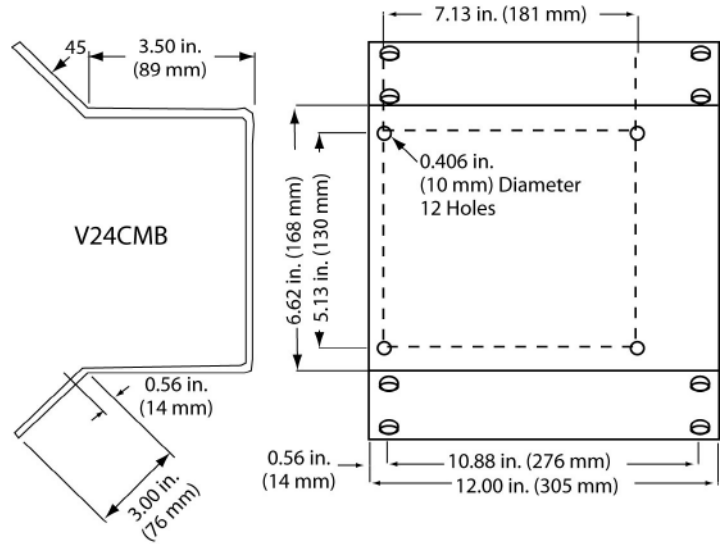


- Designed for corner mounting SVFT wall mounts
- Corrosion-protected steel construction
- Height: 6.6 in. (168 mm)
- Width: 12 in. (305 mm)
- Weight: 8.2 lb (3.7 kg)

Application

- For pole mounting SVFT-WM-1 and SVFT-UWM-1 wall mounts

Dimensional Data



Pole Mount Adapter V20B-A-1 Series

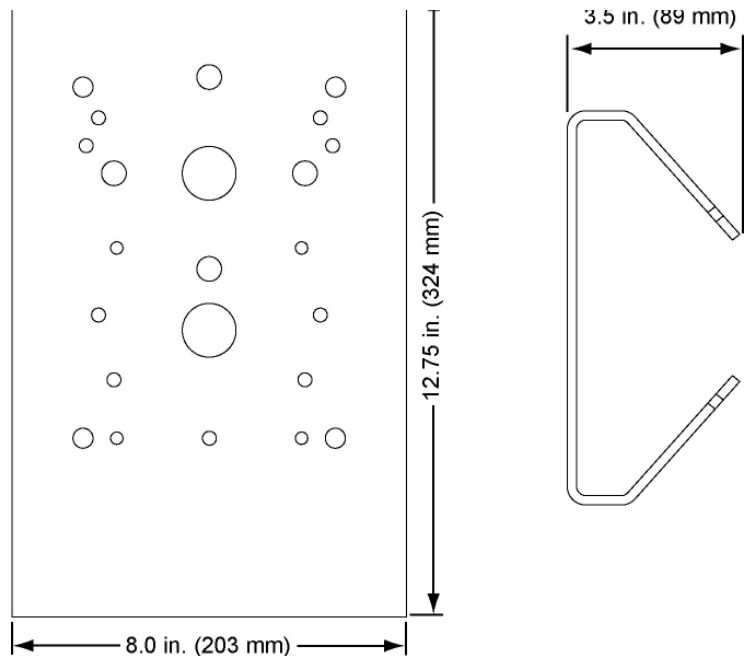


- Designed for pole mounting SVFT wall mounts
- Available with aluminum or stainless steel construction
- Fits 4 - 10 in. diameter poles
- Height: 12.75 in. (324 mm)
- Width: 8 in. (203 mm)
- Depth: 3.5 in. (89 mm)
- Weight: Aluminum - 3.7 lb (1.7 kg); steel - 11 lb (5 kg)

Application

- For pole mounting SVFT-WM-1 and SVFT-UWM-1 wall mounts

Dimensional Data



Dated: 5/2017

Specifications subject to change without notice.

Vicon and its logo are registered trademarks of Vicon Industries Inc.

Copyright © 2017 Vicon Industries Inc. All rights reserved.

V940 MOUNTING ACCESSORIES

Back Box V940D-BOX and V940B-BOX



V940D-BOX



V940B-BOX

- For cable management of the V940 series of cameras
- Aluminum construction
- Diameter: 5.25 in. (133 mm)
- Weight: V940D: 0.70 lb (0.32 kg)/V940B: 1.1 lb (0.5 kg)