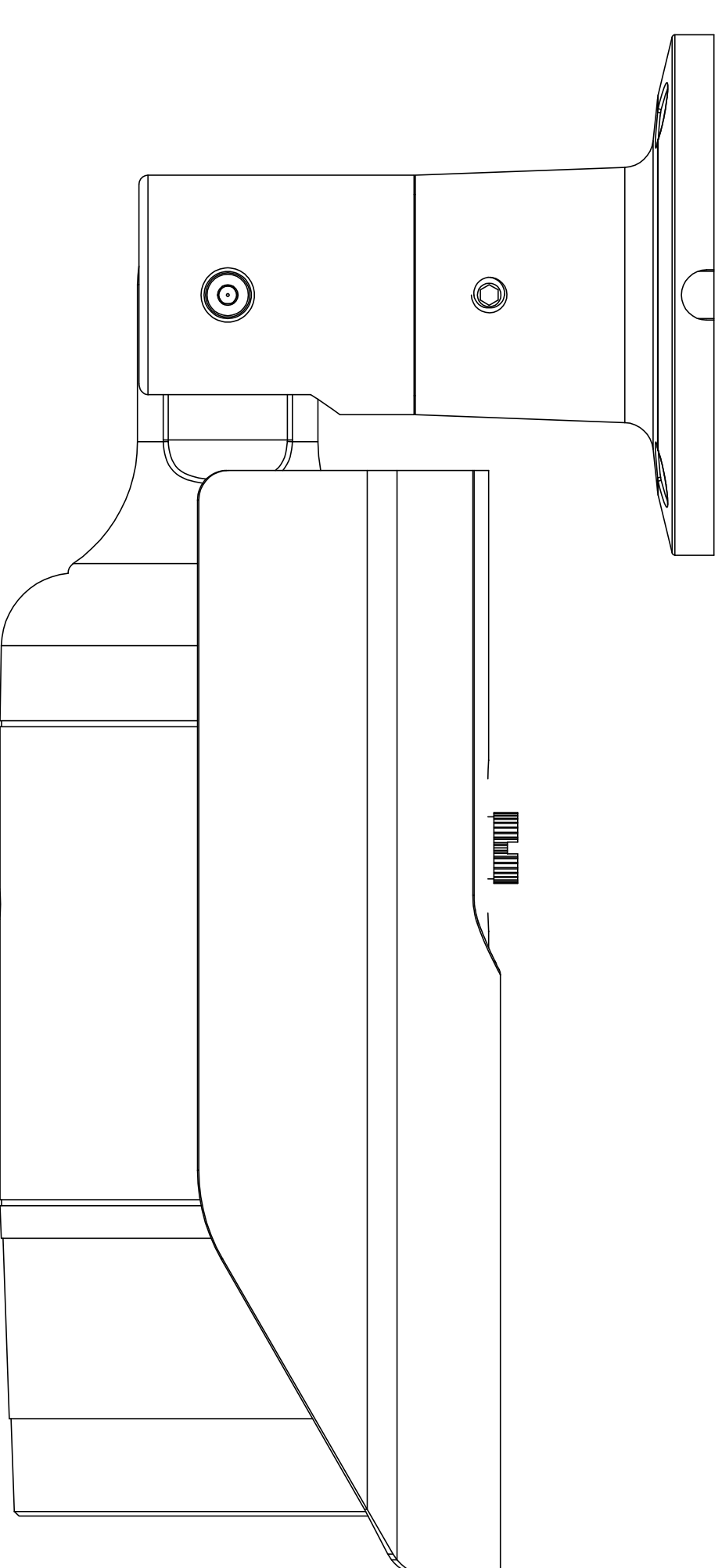
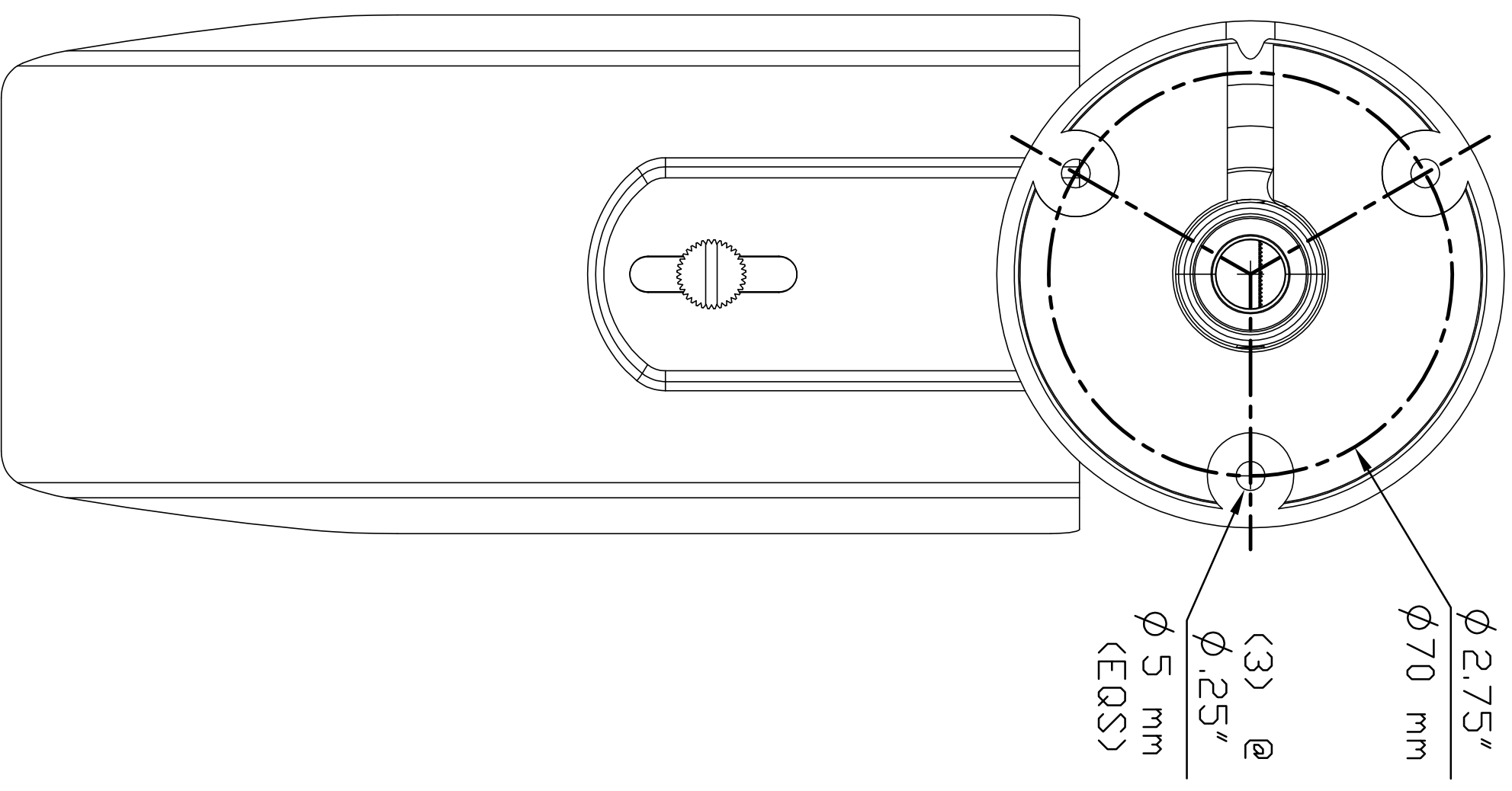
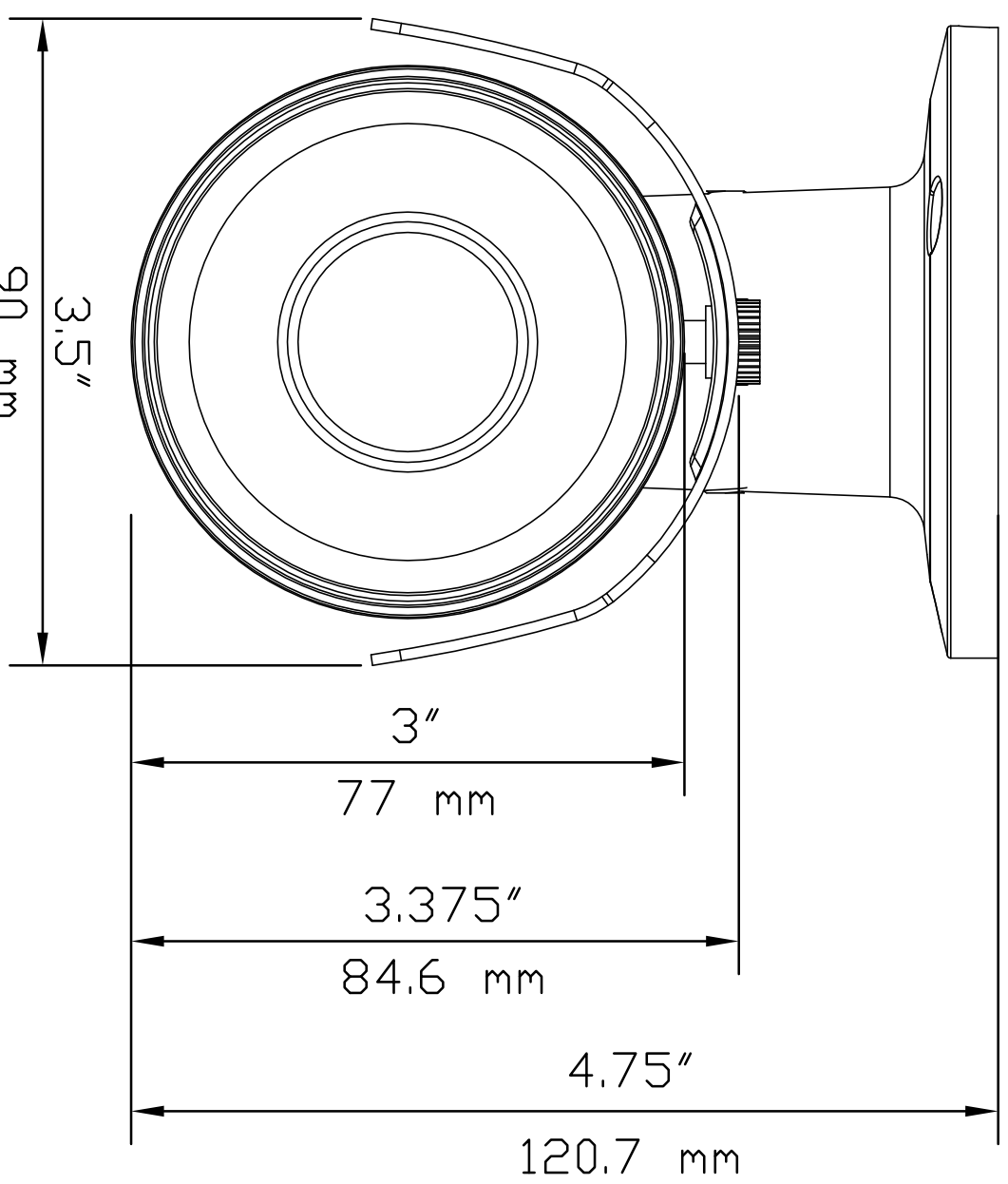


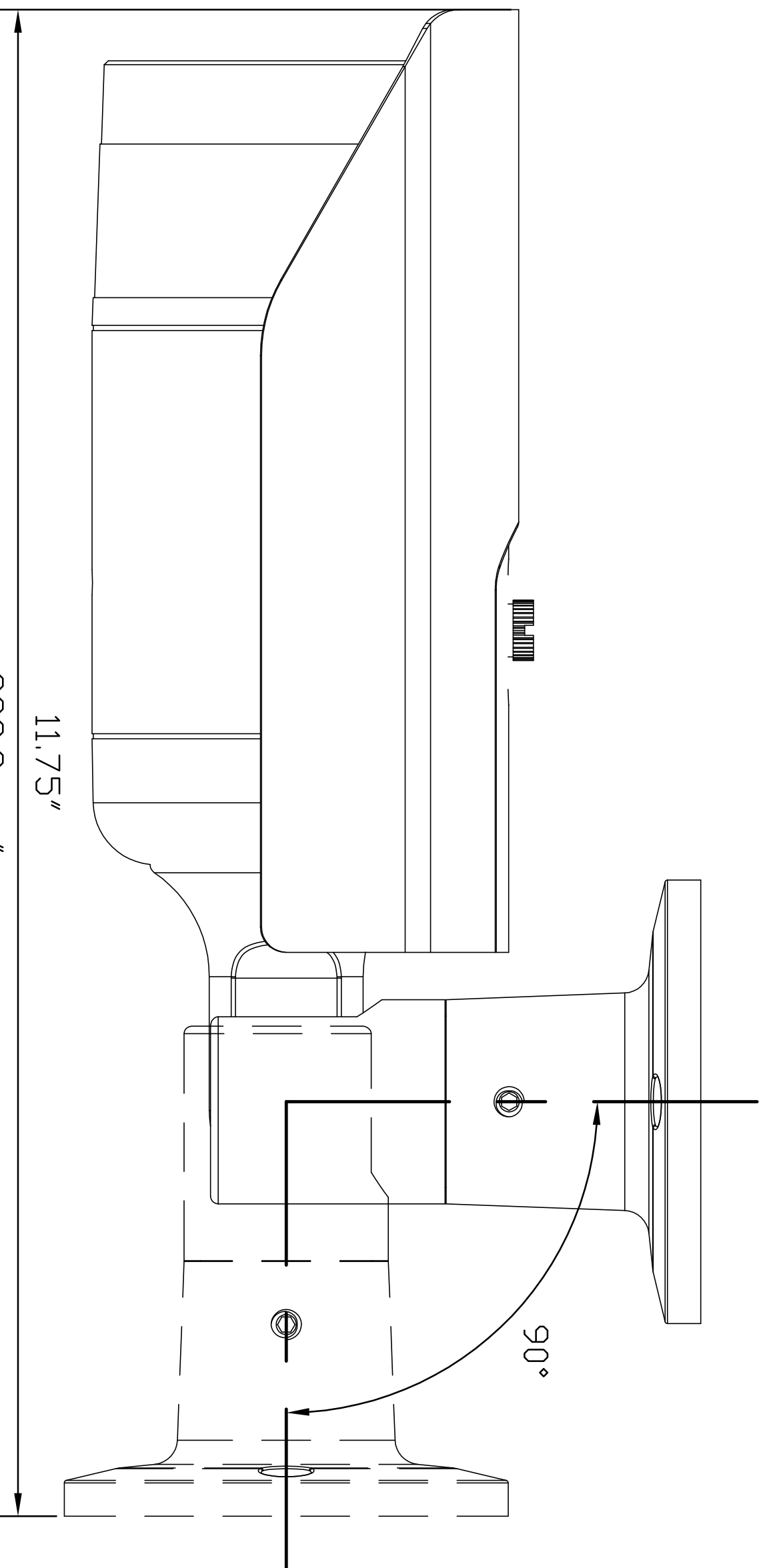
REV.	DESCRIPTION	ECO NO.	PRN NO.	DDN NO.	BY	DATE	APPR
00	RELEASE FOR INFO						



SIDE VIEW



FRONT VIEW



SIDE VIEW

THIS PAPER AND THE MATTER SHOWN AND DESCRIBED ARE PROPERTY OF VICON INDUSTRIES, INC. THIS PAPER IS ISSUED IN STRICT CONFIDENCE AND SHALL NOT BE REPRODUCED OR COPIED, OR USED AS A BASIS FOR THE MANUFACTURE OF APPARATUS WITHOUT SPECIFIC WRITTEN AUTHORITY OF VICON INDUSTRIES, INC.

FILE NO. 131140210100	THIRD ANGLE	REMOVE ALL BURRS AND SHARP EDGES DO NOT SCALE DRAWING	MODEL NO. V940B SERIES
TOLERANCES XX DEC. ± .025 XXX DEC. ± .005	ALL DIMENSION IN INCHES	FINISH ON ALL SURFACES SPECIFIED UNLESS OTHERWISE SPECIFIED GENERAL MFG. INSTRUCTIONS PER VICON SPEC.	TITLE BULLET CAMERA
XX DEC. ± .025 XXX DEC. ± .005	FRAC. ± 1/32 ANG. ± 3'	DESIGNER	VICON INDUSTRIES INC. 135 FELL COURT HAUPPAUGE, N.Y. 11788
MATERIAL	HEAT TR.	CHECKER	SCALE SIZE SHEET 1 OF 1
		APPROVED	REV.

1311-4021-01-00