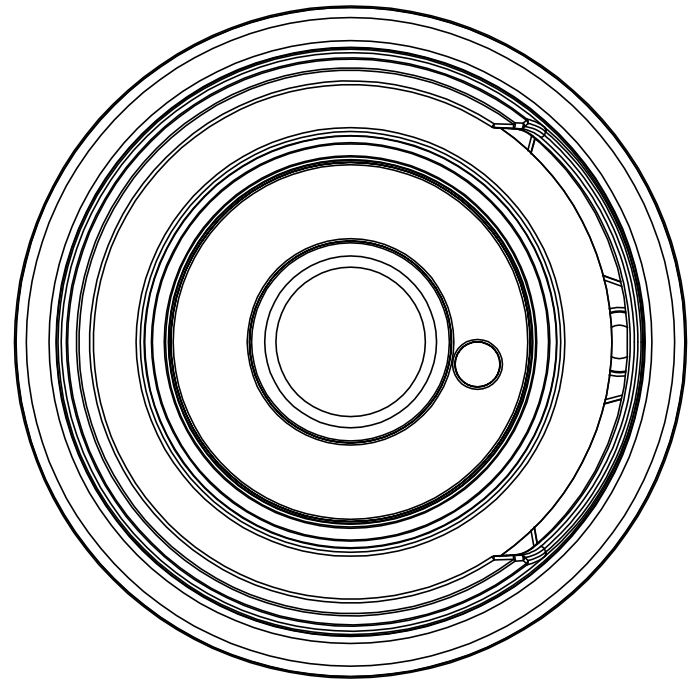
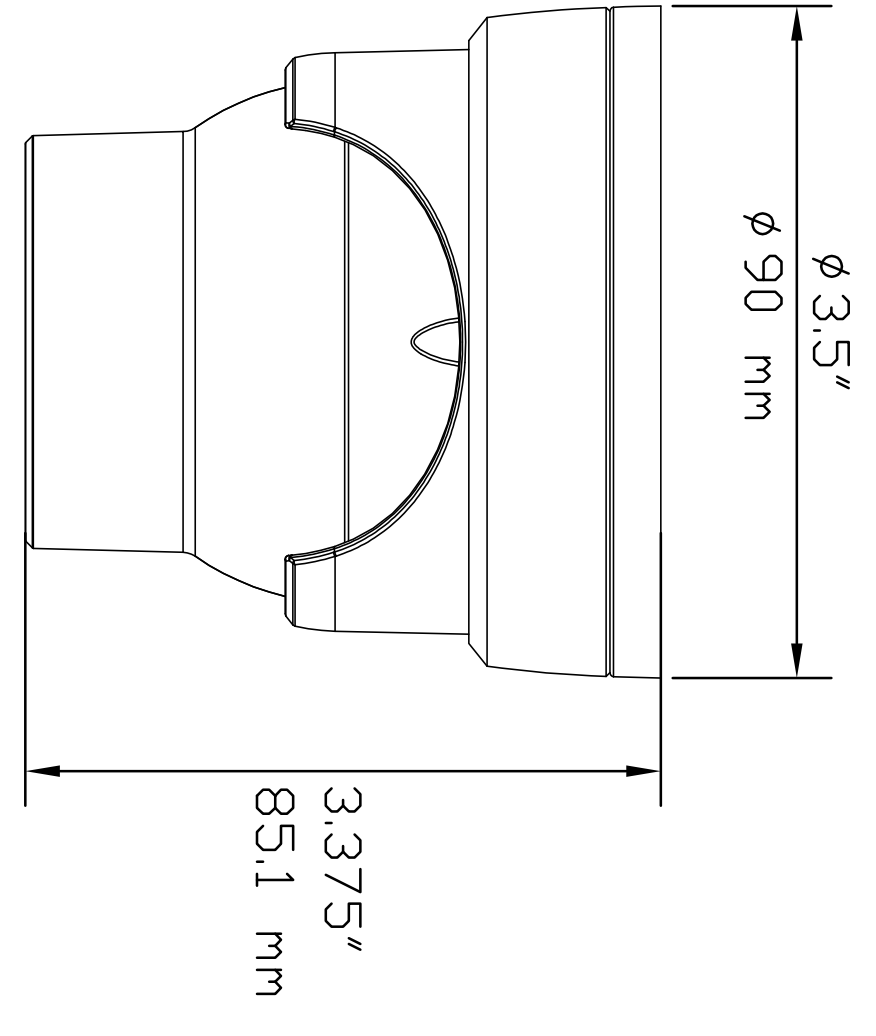


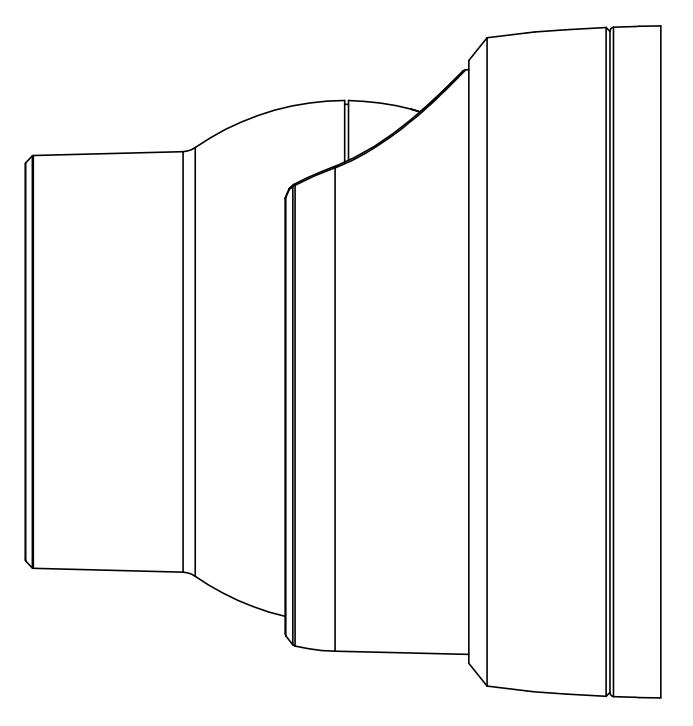
REV.	DESCRIPTION	ECO NO.	PRN NO.	DDN NO.	BY	DATE	APPR
00	RELEASE FOR INFO						



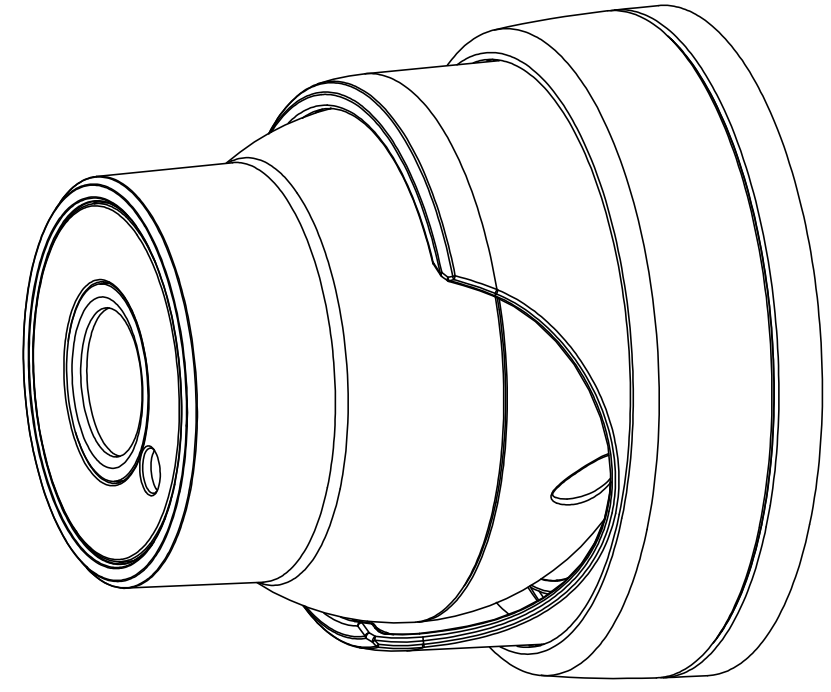
BOTTOM VIEW



TOP VIEW



SIDE VIEW



3D VIEW

1311-4021-01-00

FILE NO. 131140210100	THIRD ANGLE	REMOVE ALL DIMENSIONS DO NOT SCALE DRAWING	MODEL NO. V932D & V934D SERIES
TOLERANCES XX DEC. ± .02 FRACTION XXX DEC. ± .005 ANG. ± .5°	<input checked="" type="checkbox"/> FINISH ON ALL SURFACES UNLESS OTHERWISE SPECIFIED THIS PART IS A SPECIAL ORDER PER VICON SPEC.	DRAWN	TITLE TURRET CAMERA
MATERIAL	DESIGNER	DATE	VICON INDUSTRIES INC.
HEAT TR.	CHECKER		135 FELL COURT
FINISH	APPROVED		HAUPPAUGE, N.Y. 11788
		SCALE	SIZE
		1to1	D
		SHEET	1 OF 1
		REV.	

THIS PAPER AND THE MATTER HEREON AND DESCRIBED ARE HEREBY
 CONFIDENTIAL TO VICON INDUSTRIES, INC. THIS PAPER IS ISSUED IN STRICT
 CONFIDENCE AND SHALL NOT BE REPRODUCED OR COPIED OR USED
 AS A BASIS FOR THE MANUFACTURE OF APPARATUS WITHOUT
 SPECIFIC WRITTEN AUTHORITY OF VICON INDUSTRIES, INC.