



### Product at a Glance

- ▶ 360° panorama camera at full HD resolution
- ▶ H.265, H.264, M-JPEG
- ▶ 6 MP and 12 MP resolution models
- ▶ 1.29 mm fixed lens; 180° angle of view
- ▶ True Wide Dynamic Range (T-WDR; 120 dB)
- ▶ IR illuminators
- ▶ Multiple dewarping modes
- ▶ Smart encoding
- ▶ Day/night with mechanical IR cut filter
- ▶ Multiple and dynamic Region of Interest (ROI) windows
- ▶ Smart text overlay and privacy masks
- ▶ Quad streaming (H.264/H.265 + M-JPEG)
- ▶ Advanced VCA; Museum Search
- ▶ Alarm and Audio in/out
- ▶ SD card for onboard storage
- ▶ Powered by PoE; 12 VDC
- ▶ IP66; IK10

### 360 Degree Vision

The V8360W series is a fisheye 360° IP dome camera that is state-of-the-art in visual quality and supports a suite of unique and impressive features. This panoramic camera provides a high-resolution, hemispherical view that eliminates blind spots and improves long-term reliability. The vandal-proof 360-degree dome camera can be mounted on a ceiling or wall and is suitable for both outdoor and indoor applications. A variety of mounting options are available to fit almost any installation preference.

The integral fisheye lens provides an extremely wide angle of view that captures the entire environment in front of the camera, allowing one camera to easily cover a large-scale area. When installed in a ceiling, the camera can capture a 360° view of the surroundings and then offer a number of dewarped views, including two 180° panoramic views. The camera supports both server-based and edge-based dewarping. A 6 MP and 12 MP model are offered. Refer to Product Descriptions table.

### Overview

The V8360W provides quad-streaming video and supports H.264/H.265 compression technology, drastically reducing file sizes and conserving valuable network bandwidth; M-JPEG compression is also supported. An SD card slot is provided for a customer-supplied SDHC/SDXC card for onboard storage.

Installation of the V8360W camera is made easy and cost effective with Power-over-Ethernet (IEEE 802.3af), which eliminates the need for power cables; 12 VDC is also accepted. A number of mounting options are available.

The camera can be used with Vicon Valerus® and ViconNet® as well as many other popular VMS systems; each VMS may support different camera functions. Using Valerus, it is possible to select a variety of views depending upon the needs of the system.

## Specifications

| Model                             | V8360W Series   |
|-----------------------------------|---|
| <b>Camera</b>                     |   |
| Device Type:                      | Panoramic cameras   |
| Image Sensor:                     | 1/1.7" Sony progressive scan CMOS   |
| Max Resolution:                   | 6 MP: 2560×2560, 2160×2160, 2048×2048, 1280×1280, 720×720, 640×640, 480×480<br>12 MP: 4000×3000, 3000×3000, 2560×2560, 2160×2160, 2048×2048, 1280×1280, 720×720, 640×640, 480×480   |
| Image Settings/Analytics:         | T-WDR (120 dB True Wide Dynamic Range). Configurable brightness, contrast, saturation, hue, sharpness. White balance. Exposure. DNR (2D/3D). Digital zoom. Privacy masks (8). Flip/Mirror. Defog. Manual Trigger. Museum Search. Advanced Analytics: Tampering. Intelligent Motion Detection (16). Intrusion Detection. Line Cross/Counter. Loitering. Object Left/Removed. Wrong Direction. Crowd Detection. Classification Filter for applicable - Human, Vehicle |
| Electronic Shutter Speed:         | 1 ~ 1/10,000 sec  |
| Advanced Image Processing:        | Dewarped: Two horizontal images (ceiling mount); Single image (wall mount); Quad images (ceiling/wall mount); Corridor (single) image (ceiling mount). Full 360° raw image  |
| Day/Night Performance:            | True day/night with mechanical IR cut filter  |
| Wide Dynamic Range                | True WDR; 120 dB  |
| Minimum Illumination:             | Color: 0.09 lux @ f/2.4, 40 IRE; BW: 0 lux (IR LED On)  |
| IR Distance:                      | Up to 32 ft (10 m); 6 LEDs  |
| <b>Lens</b>                       |   |
| Focal Length:                     | Fixed 1.29 mm focal length, f/2.4   |
| Angle of View:                    | 180° (H); 180° (V); using the mouse digitally pan, tilt and zoom the live view  |
| <b>Network Video Transmission</b> |   |
| Network:                          | RJ-45   |
| Image Compression:                | H.264 (Baseline/Main Profile/High Profile); H.265 (High Profile); M-JPEG  |
| Resolution:                       | 6 MP: 2560×2560 @ 20 fps; 2160×2160 @ 25fps/30fps (PAL/NTSC)<br>12 MP: 4000×3000 @ 20fps; 3000×3000 @ 25fps/30fps (PAL/NTSC)  |
| Protocols:                        | IPv4/IPv6, TCP/IP, UDP, HTTP, RTP, RTSP, RTCP, DHCP, HTTPS, ARP, UPnP, FTP, QoS, SNMP v3, 802.1x, Digest Authentication, Zeroconfig, Bonjour  |
| Frame Rate:                       | 6 MP: 2560×2560 @ 20 fps; 2160×2160 @ 25fps/30fps (PAL/NTSC)<br>12 MP: 4000×3000 @ 20fps; 3000×3000 @ 25fps/30fps (PAL/NTSC)  |
| Streams:                          | Quad streams: H.264/H.265 x 3; M-JPEG x 1   |
| Users:                            | Live: up to 10 users; Playback: up to 3 users   |
| Web Browser:                      | Internet Explorer®; Chrome®, Safari®, Firefox®  |
| Security:                         | IP address filtering, HTTPS encrypted data transmission, SSL, multi-user authority, AES256 encryption   |
| Alarm:                            | 1 alarm input/1 alarm output (relay); terminal block  |
| Audio Streaming:                  | Two-way audio (1 Input, Mic/Terminal Block), 1 Output (Terminal Block). G.711   |
| Composite Out:                    | Yes; 2-pin connector  |
| <b>Mechanical</b>                 |   |
| Construction:                     | Aluminum  |
| Mounting:                         | Mounting holes provided   |
| Controls and Connectors:          | PoE/Network: RJ-45. Alarm/Audio: terminal block. 12 VDC Power: terminal block. Micro SDHC/SDXC card slot (256 G max; customer-supplied). Composite out; CVBS 2-pin connector.   |
| Dimensions:                       | H: 2.3 in. (59 mm); D: 5.9 in. (151.4 mm); Dome Diam: 1.7 in. (43 mm)   |
| Weight:                           | 1.6 lb (0.7 kg)   |

## Specifications

| Electrical         |                                  |
|--------------------|----------------------------------|
| Input Power:       | PoE IEEE 802.3af Class 0; 12 VDC |
| Current:           | PoE: 0.26 A; 12 VDC: 0.95 A      |
| Power Consumption: | PoE: 12.5 W; 12 VDC: 11.4 W      |

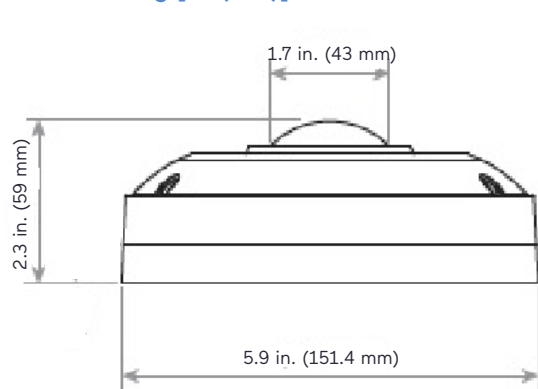
| Environmental         |  |
|-----------------------|--|
| Operating Conditions: | Temp: Outdoor: -22 to 122° F (-30 to 50° C). Humidity: 0% - 90%, relative, non-condensing. |
| Approvals:            | FCC Class A, CE, UL, IP66, IK10; ONVIF Profile S/T   |
| Country of Origin:    | Korea  |
| Warranty:             | 3 years  |

| Ordering Information                  |             |              |
|---------------------------------------|-------------|--------------|
| Resolution                            | Environment | Model Number |
| Up to 2560×2560 (6.5 megapixel)       | Outdoor     | V8360W-6     |
| Up to 4000×3000 pixels (12 megapixel) | Outdoor     | V8360W-12    |

| Mounting Accessories  |         |                 |
|---|---------|-----------------|
| Back box for ease of cabling  | Outdoor | V932EZ-BOX-2    |
| Adapter plate for mounting to a 4x4 electrical box  | Outdoor | V8360-PLATE     |
| Wedge mount allows camera to be surface mounted and tilted to maintain full view; allows mounting to 2x2 electrical box | Outdoor | V8360-WDG       |
| Adapter plate that allows wedge mount to mount to a 4x4 electrical box  | Outdoor | V8360-WDG-PLATE |
| In-ceiling mounting kit; for drop ceiling   | Outdoor | V8360W-ICD      |
| In-ceiling mounting kit; for hard ceiling   | Outdoor | V8360W-ICH      |
| Adapter that allows mounting to several Vicon mounts with the V670-PMB-1  | Outdoor | V8360-ADPT      |
| Wall mount  | Outdoor | V670-WM         |
| Pendant mount   | Outdoor | V670-PM         |
| Pendant mount box   | Outdoor | V670-PMB-1      |

## Dimension Drawing [in. (mm)]



Data Sheet Number: V314-00-00  
 Vicon Data Sheet Number: 8009-7314-00-00

Specifications subject to change without notice.  
 Vicon and their logos are registered trademarks of Vicon Industries Inc.  
 Copyright © 2020 Vicon Industries Inc. All rights reserved.

Explorer is a registered trademark of Microsoft Corporation.  
 Chrome is a registered trademark of Google LLC.  
 Firefox is a registered trademark of Mozilla Corp.  
 Safari is a registered trademark of Apple Inc.