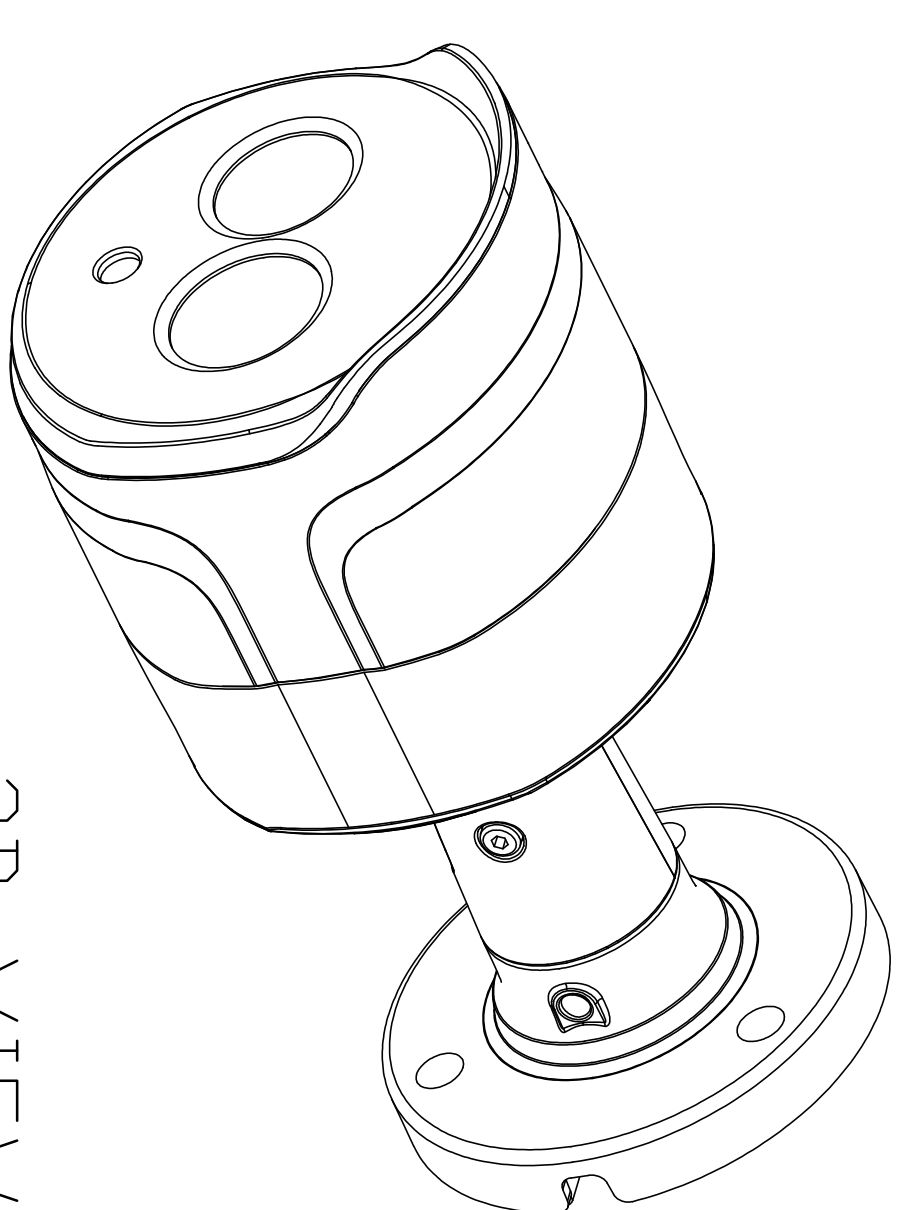
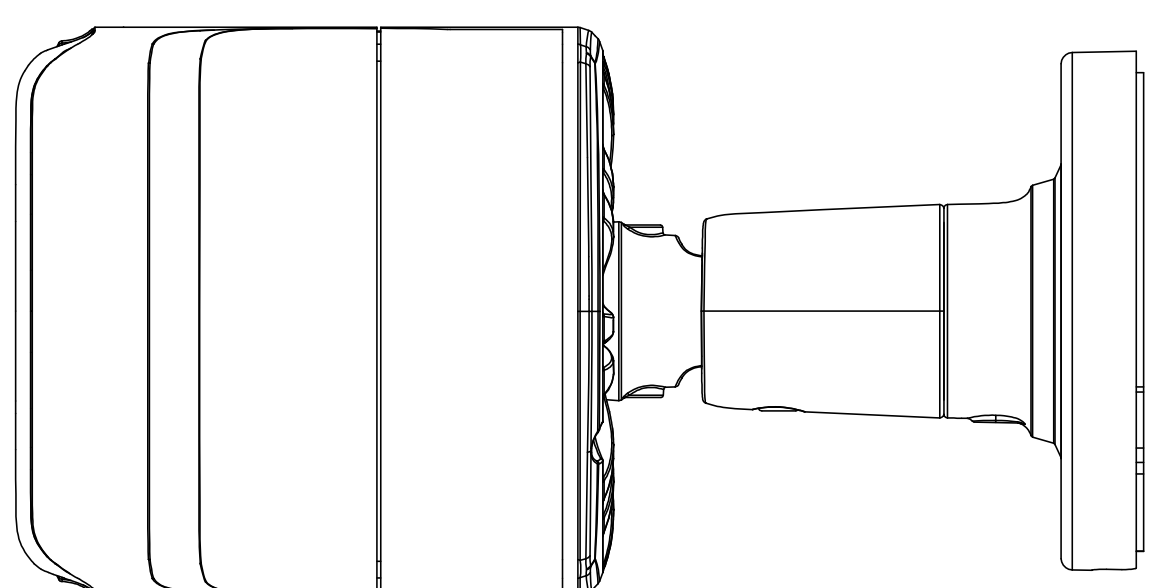


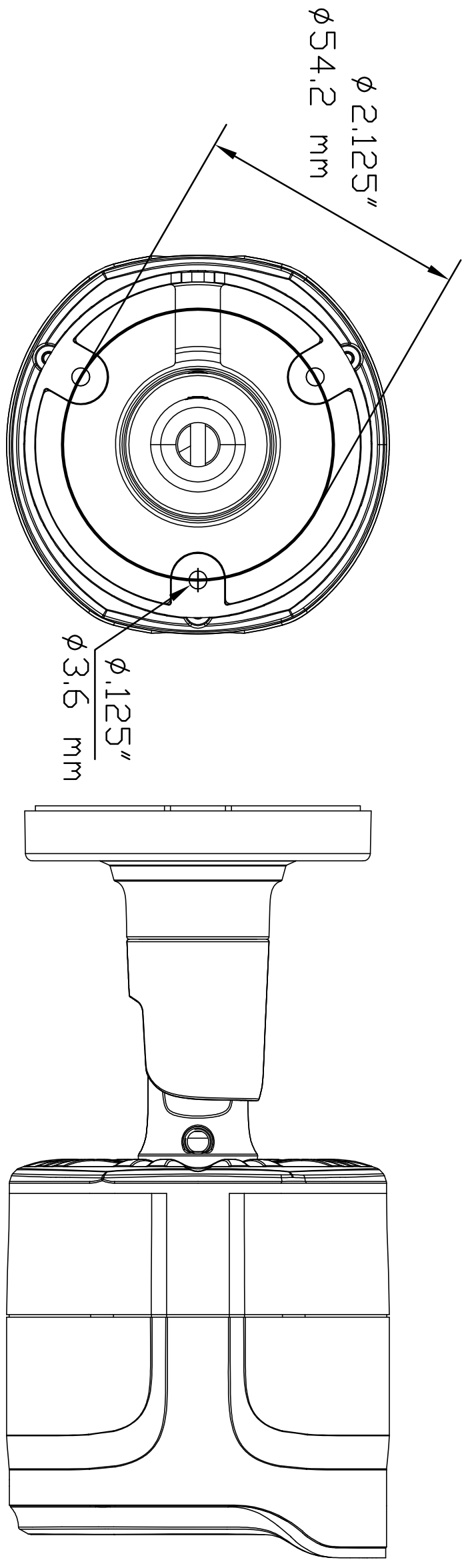
REV.	DESCRIPTION	ECO NO.	PRN NO.	DDN NO.	BY	DATE	APPR
00	RELEASE FOR INFO						



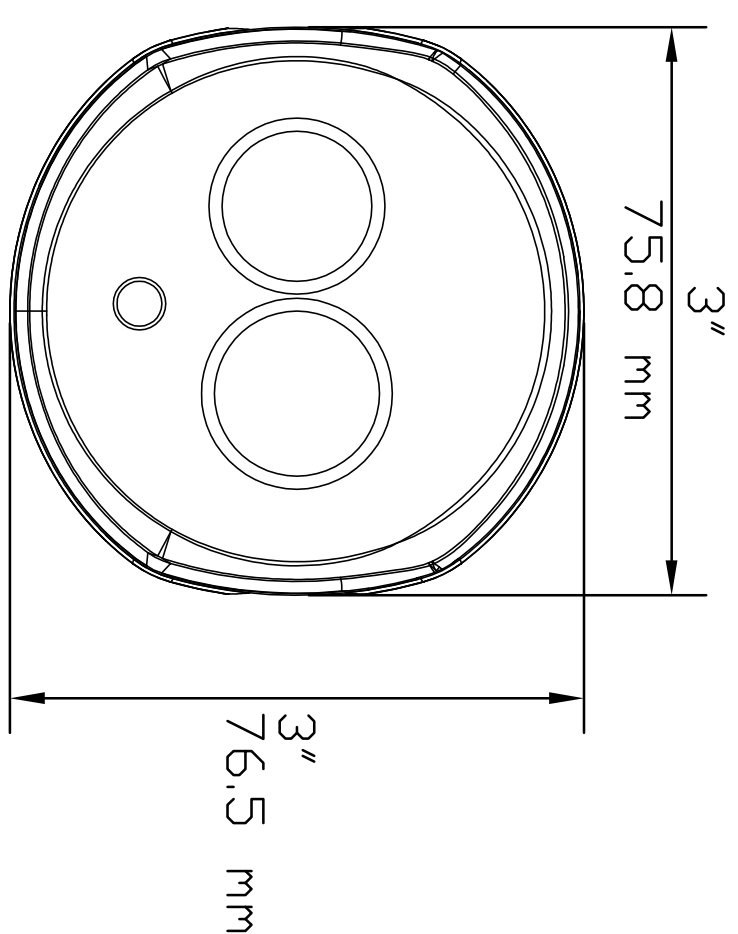
3D VIEW



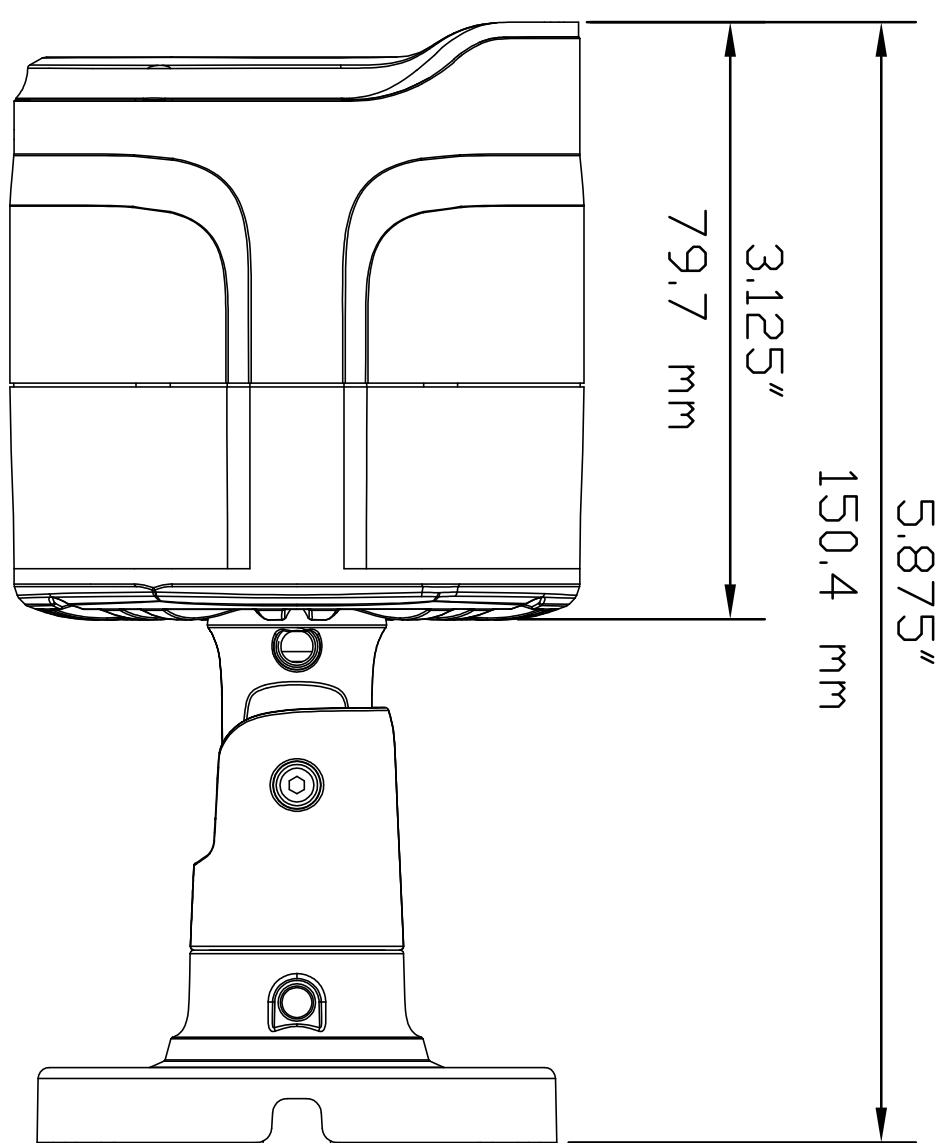
TOP VIEW



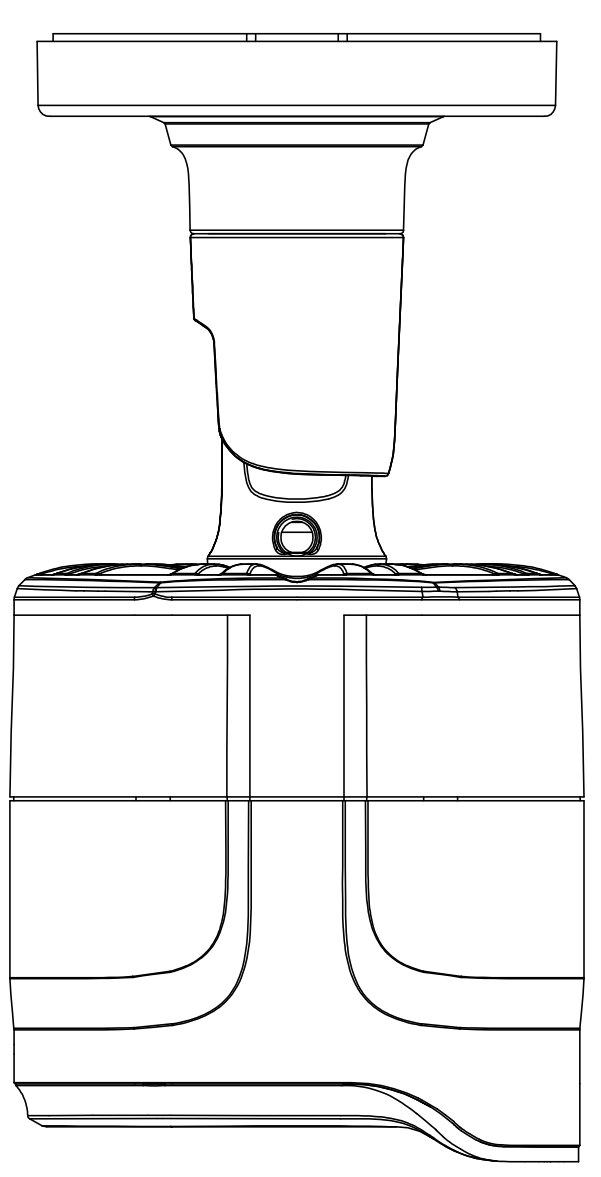
BOTTOM VIEW



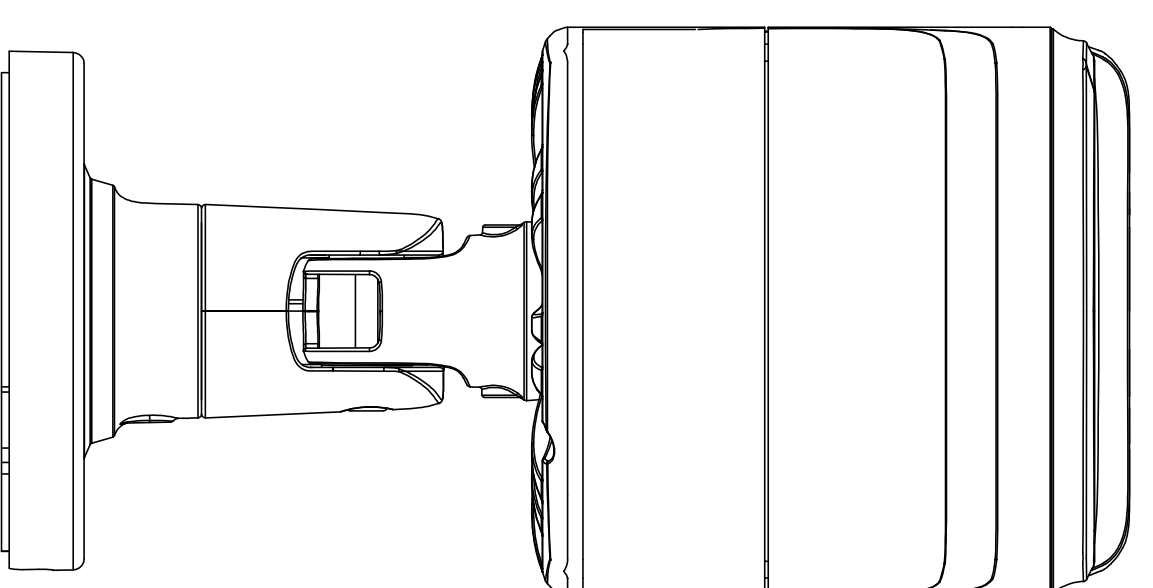
FRONT VIEW



SIDE VIEW



SIDE VIEW



TOP VIEW

THIS PAPER AND THE MATTER SHOWN AND DESCRIBED ARE HEREBY
 CONFIDENTIAL AND SHALL NOT BE REPRODUCED OR COPIED, OR USED
 AS A BASIS FOR THE MANUFACTURE OF APPARATUS WITHOUT
 SPECIFIC WRITTEN AUTHORITY OF WICON INDUSTRIES, INC.

FILE NO. 131140210100	THIRD ANGLE	REMOVE ALL BURRS AND SHARP EDGES DO NOT SCALE DRAWING	MODEL NO. V810B SERIES
TOLERANCES XX DEC. ± .02 FRACTION XXX DEC. ± .005 ANG. ± .5°	ALL DIMENSION IN INCHES	FINISH ON ALL SURFACES UNLESS OTHERWISE SPECIFIED THIS PART HAS NO SPECIFICATIONS PER WICON SPEC.	TITLE FIXED LENS BULLET CAMERA
MATERIAL	DESIGNER	DATE	WICON INDUSTRIES INC. 135 FELL COURT HAUPPAUGE, N.Y. 11788
HEAT TR.	CHECKER	SCALE	1101 D
FINISH	APPROVED	SIZE	1311-4021-01-00
		SHEET	1 OF 1
		REV.	

1311-4021-01-00