

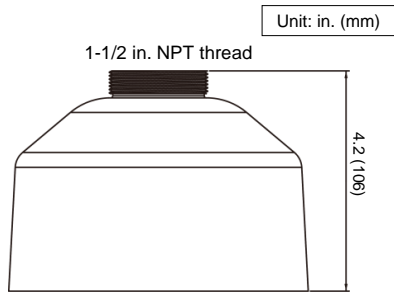
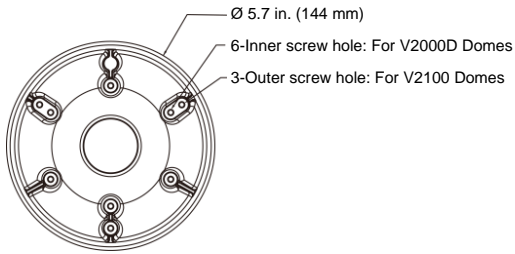
Pendant Mount

V2XXXD-PM

For V2000D Vandal Domes & V2100D Dome Cameras

Quick Guide

1. Product Overview



Ø 5.7 in. (144 mm)
FIGURE 1-1: PHYSICAL DIMENSIONS

2. Installation and Mounting Package Content

Check if all items listed below are included in the packing box.

- One pendant mount
- One printed quick guide
- Six (6) M4X12mm screws (used with V2000D Domes)
- Three (3) M4x10mm screws (used with V2100D Domes)

Required Tools

The following tools might help to complete the installation:

- A Phillips head screwdriver
- Wire cutters

Install the wall mount in the desired location according to the installation manual for the mount. Route the cabling to the installation

Installation & Mounting Procedure

For V2000D Vandal Dome Cameras

1. Rotate the pendant mount to connect with the wall mount and then thread the cable through the pendant mount.

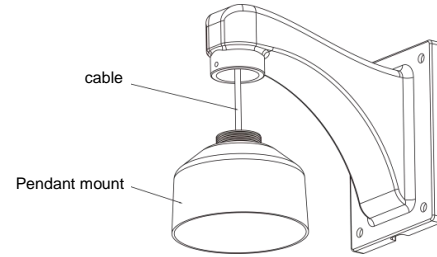


FIGURE 2-1: ASSEMBLE THE PENDANT MOUNT WITH WALL MOUNT

2. Disassemble the camera housing by loosening the three (3) screws on the top cover. Connect the cable to the connector in the camera; the jumper cable/rubber grommet provided in the accessory kit of the camera can be used. Then fasten the bottom case to the pendant mount via securing the six (6) M4X12mm screws firmly. (Note: Do not let the cable press on the bottom of camera.)

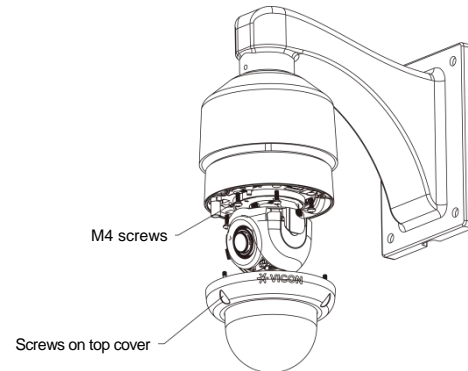


FIGURE 2-2: SECURE CAMERA ON THE PENDANT MOUNT

- **Note: Do NOT remove the small black plugs from the mounting holes. When putting the screw through the mounting hole, the plugs will pop out and this maintains the waterproof protection.**

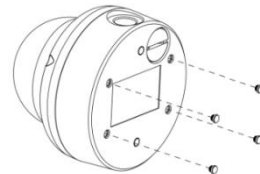


FIGURE 2-3: REMOVE WATERPROOF RUBBER SEALS

3. Assemble the camera housing back by fastening the three (3) screws on the top cover. Installation of the dome camera into the pendant mount is complete.

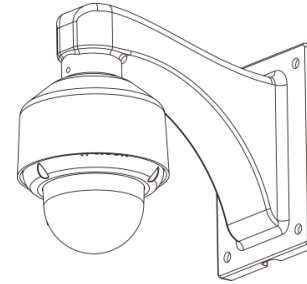


FIGURE 2-4: MOUNTING COMPLETE

For V2100D Dome Cameras

1. Rotate the pendant mount to connect with the wall mount and then thread the cable through the pendant mount.

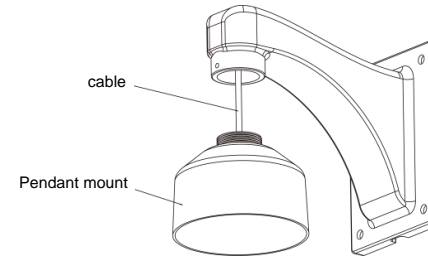


FIGURE 2-5: ASSEMBLE THE PENDANT MOUNT WITH WALL MOUNT

2. Disassemble the camera housing by loosening the three (3) screws on the top cover. Connect the cable with pigtail of camera. Then fasten the bottom case to the pendant mount via securing the 3 M4X10mm screws firmly. (Note: Do not let the cable press on the bottom of camera.)

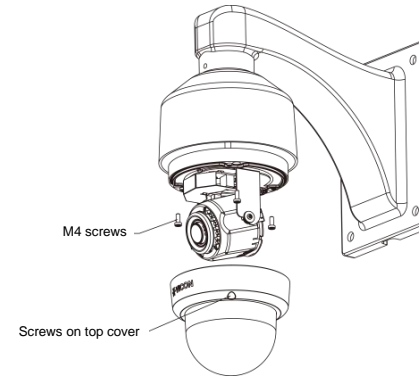


FIGURE 2-6: SECURE CAMERA ON THE PENDANT MOUNT

3. Assemble the camera housing back by fastening the three (3) screws on the top cover. Installation of the dome camera into the pendant mount is complete.

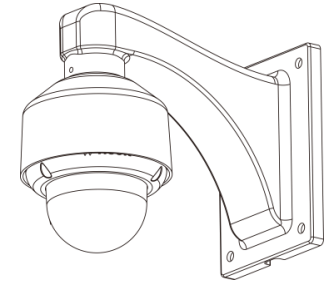


FIGURE 2-7: MOUNTING COMPLETE

3. Specification

Material	Aluminum
Color	White
Dimensions (Diam x H)	Φ 5.7x4.2 in. (Φ 144x106 mm)
Weight	0.9 lb (0.4 kg)

Product specifications subject to change without notice.
Vicon part number: 8009-8318-96-00 2/2022
Copyright ©2022 Vicon Industries Inc. All rights reserved