

V2360W-12-1

Roughneck AI Panoramic Dome for Indoor and Outdoor Applications



 NDA-Compliant  GSA  ONVIF  TAA
S/G/T/M

Overview

Vicon's Roughneck® AI Panoramic Dome provides 360° coverage of an entire area — in 12 MP resolution — for unlimited viewing angles from just one camera. You'll get widespread situational awareness and no blind spots, using a single dome that does the job of three or more cameras. Plus, the camera's flexible display modes allow you to set up your preferred viewing angles to target specific areas of interest.

With the camera in 360° mode, you can use digital PTZ to see high-quality video from multiple angles at the same time. The dome's full field-of-view is always recorded, so you can easily go back and look at different areas at any time.

AI ANALYTICS INSIDE

Perform more meaningful post-event forensic searches with object classification analytics

The camera's object classification analytics allow it to distinguish people and vehicles from other objects in a scene. Object-only recording, and the ability to filter out "environmental noise" that can trigger a motion detection alarm (e.g., shadows, swaying trees and bushes, etc.), significantly increases operational efficiencies. The result?

- Filter out non-relevant video for faster incident resolution
- Reduce storage requirements (by limiting recording to just object-based motion)
- Diminish nuisance alarms
- Respond to genuine threats quicker, and with fewer resources

vicon-security.com

Product at a Glance

- ▶ 12 MP image sensor provides clear, crisp 360-degree views across large settings
- ▶ Client de-warping is available for customers who prefer to do this via Vicon's Valerus VMS
- ▶ True WDR (120 dB) captures both the dark and bright areas of an environment without under/overexposure of the resulting image
- ▶ Smart IR lets you see high-quality, low-noise video from 49 feet (15 meters) away in the dark, and the object is not overexposed when it gets too close to the camera
- ▶ Built-in microphone eliminates the need to purchase and install a separate device for applications that require audio in









Specifications

Model	V2360W-12-1
Camera	
Image Sensor:	12 MP; 1/2.3-in. CMOS
Image Settings:	Digital image effects: flip, mirror. Configurable brightness, contrast, saturation, hue, sharpness. White balance. Back-light Compression (BLC). HLC. Gain control. Gamma correction. Electronic shutter speed. Day/night mode. Dynamic Noise Reduction (3 DNR). Motion detection (4 programmable zones). Privacy masking (8 masks). Dynamic ROI. Event notification.
Intelligent Video Analytics:	Motion, Tampering/Defocus, Intrusion, Loitering, Line Cross, Tailgating, Object Left/Removed, Crowding. Museum Search.
AI-Based Object Classification Analytics:	Vehicles, people, animals
Electronic Shutter Speed:	Auto (1/2 ~ 1/10,000 sec), manual
Day/Night Performance:	True day/night (IR cut filter)
Wide Dynamic Range	True WDR; 120 dB
Minimum Illumination:	Color: 0.007 lux @30 IRE; BW: 0.1 lux, IR Off @30 IRE; 0 lux (IR On)
IR Distance:	Smart IR: 49 ft (15 m); 1 IR LED
Lenses	
Focal Length:	Fixed f/1.6 mm focal length; f/2.0
Field of View:	195° (at full resolution); 360° (surround view)
Network Video Transmission	
Network:	10/100Base-T/TX, RJ-45
Image Compression:	H.265/H.264 and M-JPEG
Resolution:	2976×2976, 2592×2592, 2048×2048, 1952×1952, 1536×1536, 1280×1280, 960×960, 640×640
Protocol:	ARP, DHCP, DNS, FTP, HTTP, HTTPS, HLS, ICMP, IGMP, IPv4/6, LDAP, NTP, RTSP/RTCP/RTP, RTMP, QoS, SMTP, SNMP v1/2c/3, TCP, TLS/TLS, UDP, UPnP, 802.1X, UPnP, Bonjour, DDNS, PPPoE; ONVIF S/G/T/M
Frame Rate:	Max 30 fps (25 fps, PAL)
Streams:	Triple streaming. 2976×2976 @30 fps; 960×960 @30 fps; 640×640@30 fps
Audio:	1 audio input/1 audio output; G.711 (a-law, μ-law); built-in microphone; audio level alarm
Alarm:	1 alarm input/1 alarm output
Users:	Live: 10 users
Web Browser:	Internet Explorer®; Safari®, Firefox®, Google Chrome®, Microsoft® Edge
Security:	IP address filtering, HTTPS encrypted data transmission, SSL, IEEE 802.1X, Digest Authentication, Advanced Security
Local Recording:	Micro-SD slot provided; customer supplied SDHC/SDXC card

Specifications

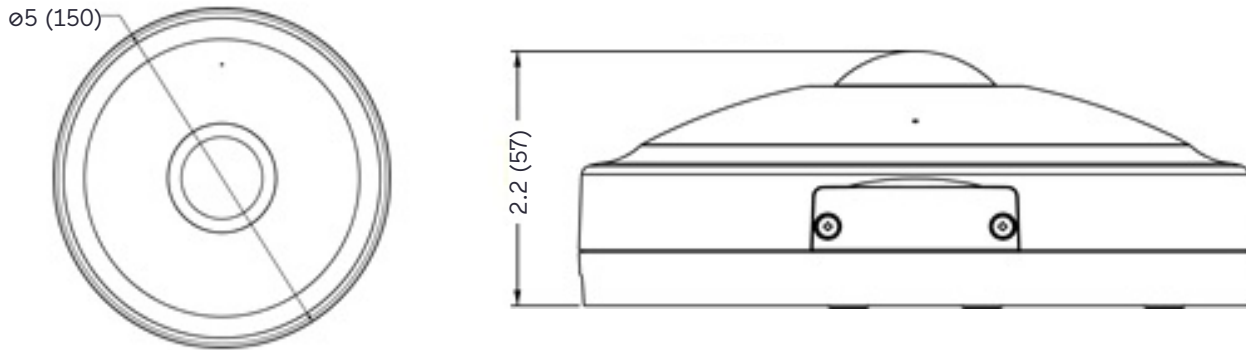
Electrical	
Input Power:	PoE+ (IEEE 802.3at, Class 4); 24 VAC (+20%/-10%)
Current (IR on):	1.1 A @24 VAC; 0.52 A @PoE
Power Consumption:	IR/Heaters On: 25 W. IR/Heaters Off: 12.2 W.
Mechanical	
Construction:	Housing: White aluminum base. Bubble: PC
Mounting:	Surface mounting: wall or ceiling; refer to ordering information for mounting options
Dimensions:	5 in. (150 mm) (Diam) x 2.2 in. (57 mm) (H); refer to dimensional diagram
Weight:	2 lb (0.9 kg)
Controls and Connectors	
Connectors:	Optional backbox available for cabling. Power: 24 VAC: terminal block. Network/PoE: RJ-45 CAT 5. Alarm In/Out: screw terminal. Audio In/Out: screw terminal; built-in mic. Reset button. Default button. Micro SD card slot for SDHC/SDXC card (128 G max; customer supplied).
Environmental	
Operating Conditions:	Temperature: -40° to 122° F (-40° to 50° C) Humidity: up to 90%, relative, non-condensing
Dual Heater System:	For low temperature operation: heater turns on at -40° F (-40° C) and off at 59° F (15° C). For defog operation: heater turns on at -40° F (-40° C) and off at 140° F (60° C)
Approvals:	UL, FCC Class A, CE, IP67, IK10; ONVIF Profile: S/T/G/M; RoHS
Country of Origin:	Taiwan
Warranty:	5 years

Ordering Information

Model Number	Description	
V2360W-12-1	12 MP panoramic camera dome; fixed f/1.2 fisheye lens	
Accessories		
V2000D-PM	Pendant mount: Provides pendant mounting configuration for use with SVFT-WM-1/SVFT-UWM-1/SVFT-UCM-1/SVFT-UPM-2, V-24CMB-4, V-20B-A-4	
V1001-PM	Pendant mount: Provides pendant mounting configuration for use with SVFT-WM-1/SVFT-UWM-1/SVFT-UCM-1/SVFT-UPM-2, V-24CMB-4, V-20B-A-4	
V2360W-PLATE	Adapter Plate: Allows the V2360W-12-1 to be mounted on a 4x4 electrical box	
V2000B-BOX	Backbox: For ease of cabling; compatible with V-24CMB-4 corner mount and V-20B-A-4 pole mount adapter	
V2360W-ICD	In-Ceiling Mount: Allows V2360W-12-1 to be mounted in a drop ceiling	
V2360W-ICH	In-Ceiling Mount: Allows V2360W-12-1 to be mounted in a hard ceiling	
V2XXX-WDG	Wedge Mount: Allows the V2360W-12-1 to be surface mounted on a tilt to maintain a full view	
V2XXX-WDG-PLATE	Adapter Plate: Allows V2XXX-WDG to be mounted on a 4x4 electrical box	

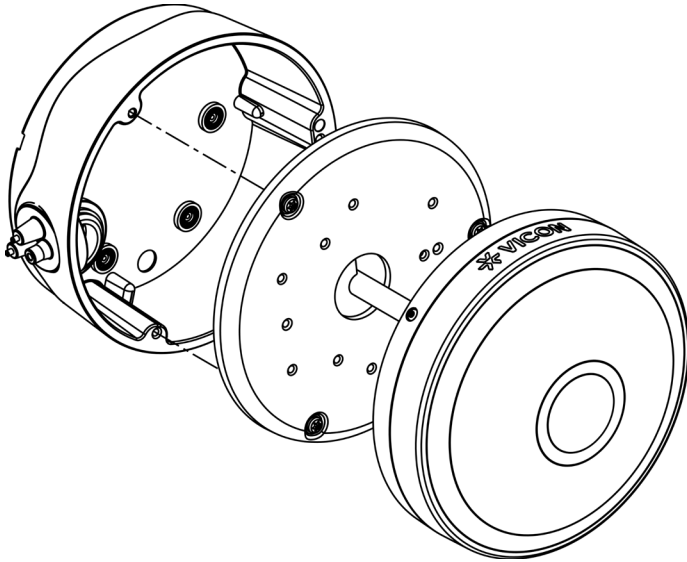
Dimensional Drawing

[in. (mm)]



For Ease of Cabling Use Optional V2000B-BOX

(sold separately)



Data Sheet Number: V318-61-05

Vicon Data Sheet Number: 8009-7318-61-05

Specifications subject to change without notice.

Vicon, Roughneck and their logos are registered trademarks of Vicon Industries Inc.

Copyright © 2023 Vicon Industries Inc. All rights reserved.

Explorer is a registered trademark of Microsoft Corporation.

Chrome is a registered trademark of Google LLC.

Firefox is a registered trademark of Mozilla Corp.

Safari is a registered trademark of Apple Inc.