

Wall & Surface Mount with Junction Box Kit

V2100D-BOX

For V2100D Dome Camera

Quick Guide

1. Product Overview

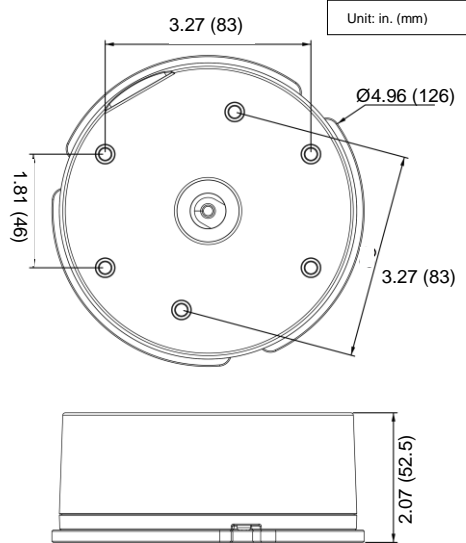


FIGURE 1-1: PHYSICAL DIMENSION

2. Installation and Mounting

Package Content

Check if everything in the packing box matches to the order form and the packing slip. All items listed below should be included in the packing box.

- One adaptor plate
- One junction box
- One waterproof rubber bushing
- One holding bracket plate
- One waterproof compression gland
- One T10 torx wrench
- One mounting template
- One printed quick guide
- Three M4x0.7Px8 SUS 304 screws
- Three M3x0.5P 5mm screws
- Four TP4 25mm tapping screws
- Four plastic anchors

Required Tools

Following tools might help you complete the installation:

- Drill
- Hammer
- Phillips head screwdriver
- Wire cutters

Installation & Mounting Procedure

1. Depending on your environment, choose either side conduit method or bottom conduit method to be used (see figures below). Pass the required cable through the waterproof compression gland; then screw the compression gland clockwise onto the side or bottom conduit hole until it is tight.

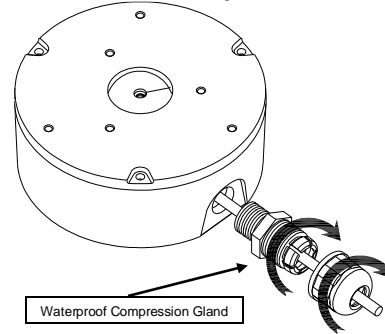


FIGURE 2-1: SIDE CONDUIT METHOD

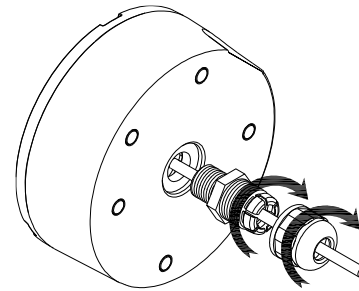


FIGURE 2-2: BOTTOM CONDUIT MANNER

2. Drill 4 holes into wall or surface based on the mounting template. Diameter ϕ 6mm, depth 30mm. (The number of required holes depends on single or double gang electrical box application.)
3. Insert and hammer the 4 plastic anchors into the drilled holes.
4. Secure the junction box onto the wall/surface by fastening the 4 TP4 25mm tapping screws with the 4 screw anchors.

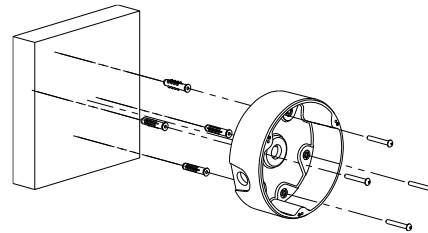


FIGURE 2-3: SECURE JUNCTION BOX

5. Pass the camera cable through the hole on adaptor plate.

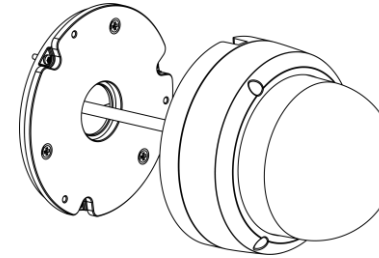


FIGURE 2-4: PASS CABLE THROUGH ADAPTOR PLATE

6. From the rear of the adaptor plate, cover the cable with the waterproof rubber bushing and fasten them with the holding bracket plate with 3 M3x0.5P 5mm screws onto the exact location of the cable hole.

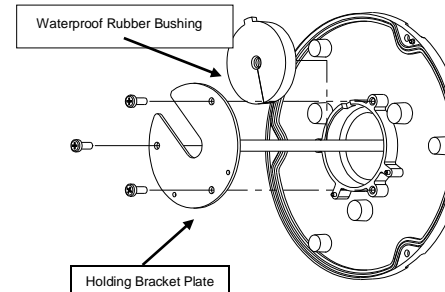


FIGURE 2-5: CABLE PREPARATION

7. Assemble the junction box with the adaptor plate by fastening the 3 T10 screws with T10 torx wrench.

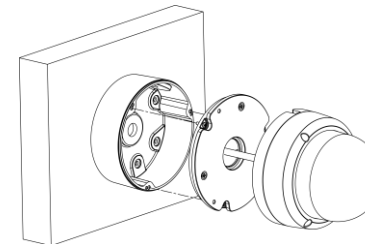


FIGURE 2-6: ASSEMBLE JUNCTION BOX WITH ADAPTOR PLATE

8. Push the cable inside the junction box to connect with required cable entering from outside.
9. Open the top cover of the camera before securing the bottom cover of the camera on the adaptor plate by fastening 3 M4X0.7P 8mm screws.
10. Finally, secure the top cover of camera with bottom cover of camera.

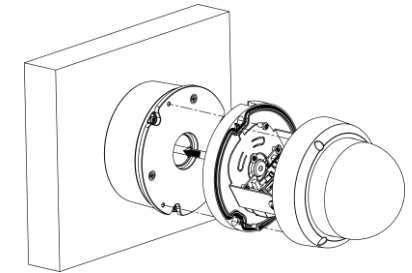


FIGURE 2-7: ASSEMBLE BOTTOM COVER OF CAMERA WITH ADAPTOR PLATE

11. The mounting kit with camera is now installed correctly on a wall or surface application. (Bottom conduit method shown for example in the following figure.)

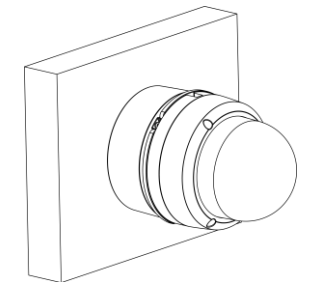


FIGURE 2-8: MOUNTING COMPLETE

Notes & Warnings

- The holes for wall/surface mount are of diameter ϕ 6 mm. Use screws of ϕ 5-5.5mm and make sure the drilled holes are of correct size to ensure proper installation.
- When drilling the hole, make sure the wall/surface thickness is greater than 50mm in order to maintain its structural integrity.
- Make sure there are no damaged parts prior to assembly.

3. Specification

| Material | Aluminum |
|------------------|----------------------------------|
| Color | White |
| Dimensions (HxD) | 2.07 x 4.96 in. (52.5mm x 126mm) |
| Weight [lb (kg)] | 1.4 lb (0.65 kg) |

Product specifications subject to change without notice.
Vicon part number: 8009-8318-97-00 12/2020
Copyright ©2020 Vicon Industries Inc. All rights reserved.