

## Wall & Surface Mount with Junction Box Kit

### V2100B-BOX

For V2100B IR Bullet Camera

#### Quick Guide

## 1. Product Overview

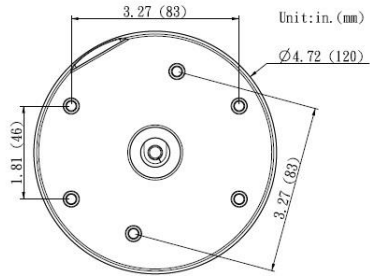


FIGURE 1-1: PHYSICAL DIMENSION

## 2. Installation and Mounting

### Package Content

Check if all items listed below are included in the packing box:

- One adaptor plate
- One junction box
- One waterproof rubber bushing
- One holding bracket plate
- One waterproof compression gland
- One T10 torx wrench
- One mounting template
- One printed quick guide
- Three M3x0.5P 5 mm screws
- Three M4x0.7P 8 mm SUS screws
- Four TP4 25mm tapping screws
- Four plastic anchors

### Required Tools

Following tools might help you complete the installation:

- Drill
- Hammer
- Phillips head screwdriver
- Wire cutters

## Installation & Mounting Procedure

1. Depending on your environment, choose either side conduit method or bottom conduit method to be used (see figures below). Pass the required cable through the waterproof compression gland; then screw the compression gland clockwise onto the side or bottom conduit hole until it is tight.

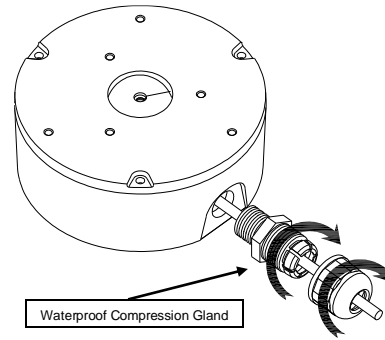


FIGURE 2-1: SIDE CONDUIT METHOD

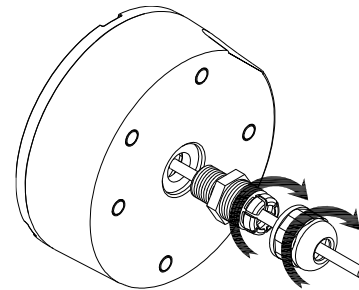


FIGURE 2-2: BOTTOM CONDUIT METHOD

2. Drill 4 holes into wall or surface based on the mounting template: Diameter  $\phi$  6mm, depth 30mm. (The number of required holes depends on single or double gang electrical box application.)
3. Insert and hammer the 4 plastic anchors into the drilled holes.
4. Secure the junction box onto the wall/surface by fastening the 4 TP4 25mm tapping screws with the 4 screw anchors.

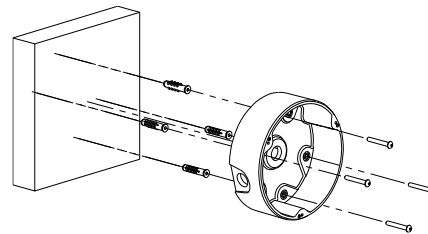


FIGURE 2-3: SECURE JUNCTION BOX

5. Pass the camera cable through the adaptor plate; then secure the camera to the adaptor plate by fastening the 3 M4x0.7P 8mm SUS screws (clockwise).

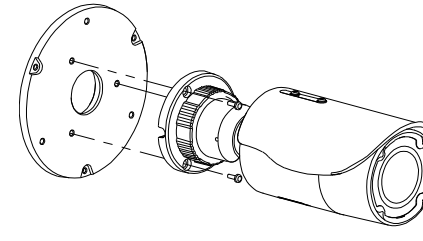


FIGURE 2-4: SECURE CAMERA WITH ADAPTOR PLATE

6. From the rear of the adaptor plate, cover the cable with the waterproof rubber bushing and fasten them using the holding bracket plate with 3 M3x0.5P 5 mm screws onto the exact location of the cable hole.

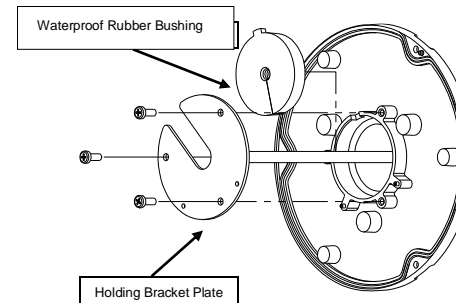


FIGURE 2-5: CABLE PREPARATION

7. Place the cable inside the junction box to connect with required cable coming from either bottom or side conduit hole, depending on type of applications, and attach the junction box with the adaptor plate by fastening the 3 T10 screws with T10 torx wrench.

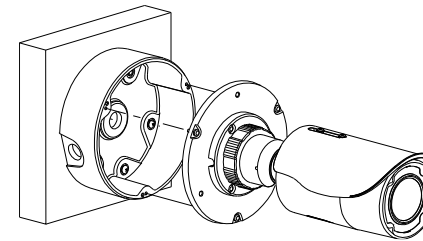


FIGURE 2-6: ASSEMBLE JUNCTION BOX WITH ADAPTOR PLATE

8. Finally, install the mounting kit with camera onto a wall or surface. (The side conduit method is shown in the example in the following figure.)

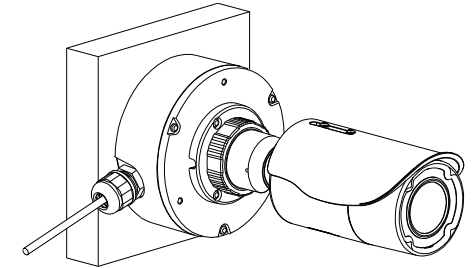


FIGURE 2-7: MOUNTING COMPLETE

### Notes & Warnings

- The holes for wall/surface mount are of diameter  $\phi$  6 mm. Use screws of  $\phi$  5~5.5mm and make sure the drilled holes are of correct size to ensure proper installation.
- When drilling the hole, make sure the wall/surface thickness is greater than 50mm in order to maintain its structural integrity.
- Make sure there are no damaged parts prior to assembly.

Product specifications subject to change without notice.  
Vicon part number: 8009-8318-96-00 12/2020  
Copyright ©2020 Vicon Industries Inc. All rights reserved.