

Wall & Surface Mount with Junction Box Kit

V2000D-MICRO-BOX

For V2000D Micro Dome

Quick Guide

1. Product Overview

Unit: in. (mm)

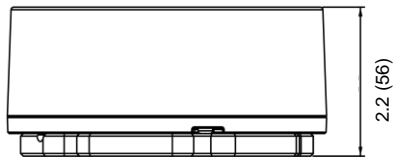
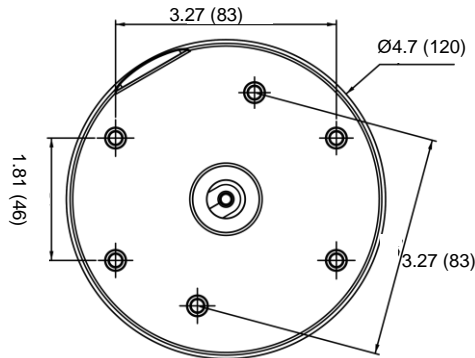


FIGURE 1-1: PHYSICAL DIMENSION

2. Installation and Mounting

Package Content

Check if everything in the packing box matches to the order form and the packing slip. All items listed below should be included in the packing box.

- One adaptor plate
- One junction box
- One waterproof rubber bushing
- One holding bracket plate
- Three M3x0.5P 5mm screws
- One waterproof compression gland
- One T10 torx wrench
- One mounting template
- One printed quick guide
- Two M4x0.7Px6mm SUS screws
- Four TP4 25mm tapping screws
- Four plastic anchors

Required Tools

Following tools might help you complete the installation:

- Drill
- Hammer
- Phillips head screwdriver
- Wire cutters

Installation & Mounting Procedure

1. Depending on your environment, choose either side conduit method or bottom conduit method to be used (see figures below). Pass the required cable through the waterproof compression gland; then screw the compression gland clockwise onto the side or bottom conduit hole until it is tight.

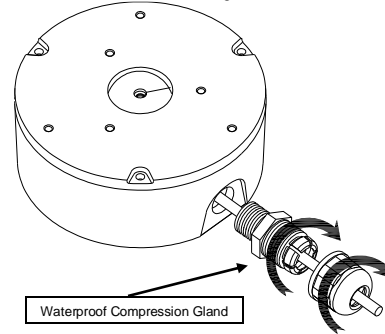


FIGURE 2-1: SIDE CONDUIT METHOD

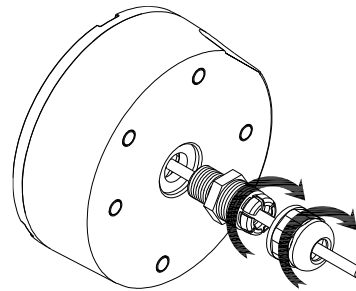


FIGURE 2-2: BOTTOM CONDUIT METHOD

2. Drill 4 holes on wall or surface based on the mounting template. Diameter ϕ 6mm, depth 30mm. (The required holes number depends on single or double gang electrical box.)
3. Hammer the 4 plastic anchors into the drilled holes.
4. Secure the junction box onto the wall/surface by fastening the 4 TP4 25mm tapping screws with the 4 screw anchors.

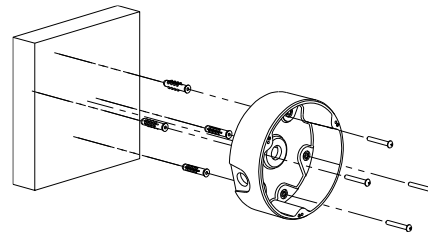


FIGURE 2-3: SECURE JUNCTION BOX

5. Open the top cover of micro dome camera and pass the camera cable through the hole of adaptor plate.
6. Fasten 2 M4x0.7P 6mm screws to lock bottom cover of micro dome camera on SUS standoff (pillar).
7. Assemble top cover and bottom cover of micro dome camera.

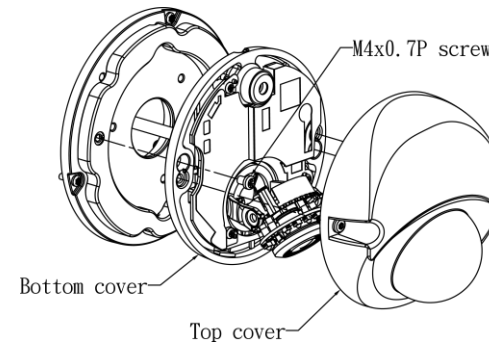


FIGURE 2-4: ASSEMBLE ADAPTOR PLATE WITH MICRO DOME CAMERA

8. From the rear side of the adaptor plate, cover the cable with the waterproof rubber bushing and fasten them with the holding bracket plate with 3 M3x0.5P 5mm screws onto the exact location of the cable hole.

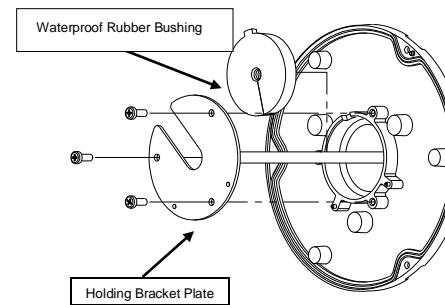


FIGURE 2-5: CABLE PREPARATION

9. Connect RJ45 and then assemble the junction box with the adaptor plate by fastening 3 T10 torx wrench.

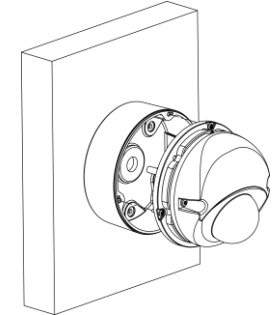


FIGURE 2-6: ASSEMBLE JUNCTION BOX WITH ADAPTOR PLATE

10. The mounting kit with micro dome camera is now installed correctly on a wall or surface application. (Bottom conduit method shown for example as the following figure.)

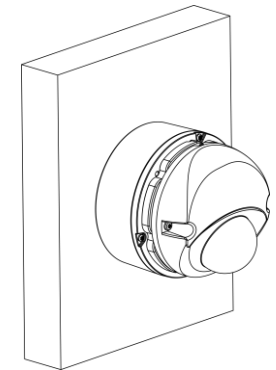


FIGURE 2-7: MOUNTING COMPLETE

Note & Warning

- The holes for wall/surface mount are of diameter ϕ 6 mm. Use screws of ϕ 5-5.5mm, and make sure the drilled holes are of correct size to ensure proper installation.
- When drilling the hole, make sure the wall/surface thickness is greater than 50mm in order to maintain its structural integrity.
- Make sure there are no damaged parts prior to assembly.

3. Specification

Material	Aluminum
Color	White
Dimensions (HxD)	2.2 x 4.7 in. (56mm x 120mm)
Weight (kg)	0.88 lb (0.4 kg)

Product specifications subject to change without notice.
Vicon part number: 8009-8318-92-00 12/2020
Copyright ©2020 Vicon Industries Inc. All rights reserved.