

In-Ceiling Mounting Bracket Kit

V2000D-IC

For Indoor Dome Camera

Quick Guide

1. Product Overview

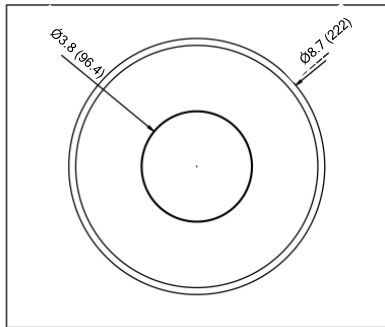
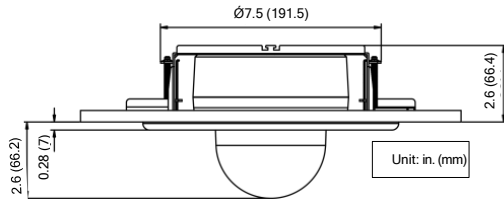


FIGURE 1-1: PHYSICAL DIMENSIONS

2. Installation and Mounting

Package Content

Check that all the items listed below are included in the packing box.

- Ceiling Mount * 1
- Ceiling Plate * 1
- M4x8-BK Screws * 2
- Mounting Template * 1
- Printed Quick Guide * 1

Required Tools

The following tools might be helpful for completing the installation.

- Phillips Head Screwdriver * 1
- Ceiling Cutting Tool * 1
- Wire Cutters

Installation & Mounting Procedure

1. Use the mounting template included to cut a 7.8 in. (198 mm) hole in the ceiling.

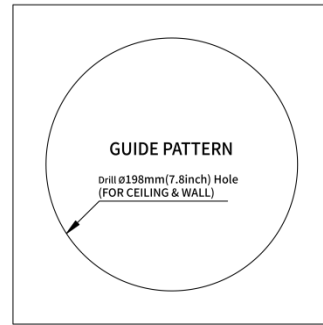


FIGURE 2-1: MOUNTING TEMPLATE

2. Insert the ceiling mount bracket into the hole.

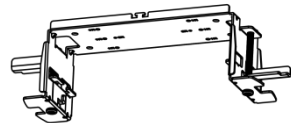
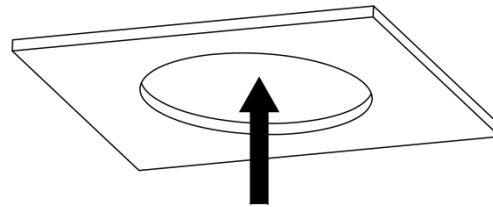


FIGURE 2-2: INSERT THE CEILING MOUNT

3. Using a Philips screwdriver, turn the 2 bracket screws to extend the locking arms. Tighten the screws to compress the locking arms to the ceiling.

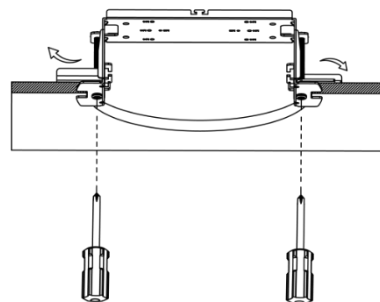


FIGURE 2-3: SECURE THE CEILING MOUNT

4. Using the screws provided, fasten the camera onto the in-ceiling mount. Position the camera. Install the camera cover onto the camera.

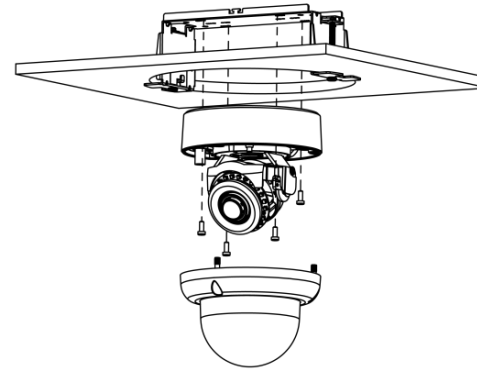


FIGURE 2-4: CAMERA INSTALLATION

Note that the screw holes highlighted in red (below) are the exact locations for securing the screws with the camera body.

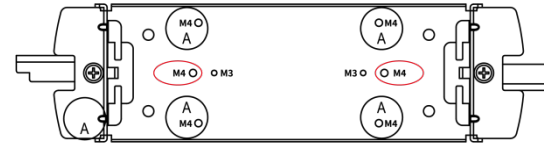


FIGURE 2-5: CEILING MOUNT INTERNAL

5. Attach the 2 spring hooks from the ceiling plate to the mounting tabs of the ceiling mount and evenly push the ceiling plate upward until it clicks into place.

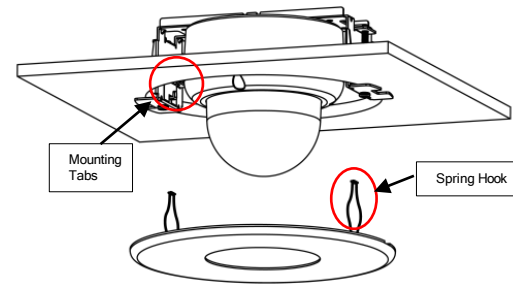


FIGURE 2-6: ASSEMBLE THE CEILING PLATE

6. The in-ceiling installation is complete, as the following figure show.

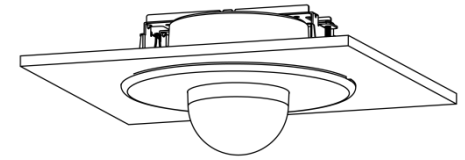


FIGURE 2-7: MOUNTING COMPLETION

The figure below illustrates the internal view of completed mounting of indoor camera and in-ceiling mounting bracket kit.

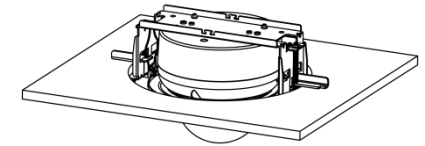


FIGURE 2-8: MOUNTING COMPLETE - INSIDE VIEW

Notes & Warnings

- The hole for the in-ceiling mount has a diameter of 7.8 in./198 mm. Make sure the cutout hole is of correct size for proper fit.
- When drilling the hole, make sure the ceiling thickness is no more than 1.4 in. (35 mm) to maintain its structural integrity.
- Make sure there are no damaged parts prior to assembly.

3. Specification

Material	PC + ABS
Color	White
Dimensions	Ceiling Mount: 2.5 x 9.9 x 2.4 in. (63 x 250.5 x 60.5 mm) Ceiling Plate: inner - Ø3.8 in. (96.4 mm), outer - Ø8.7 in. (222 mm)
Weight	0.9 lb (400 g)

Product specifications subject to change without notice.
Vicon part number: 8009-8318-91-00 8/2024
Copyright ©2024 Vicon Industries Inc. All rights reserved.