



AI ANALYTICS INSIDE

# V2000-WIR-360 Series Roughneck AI Remote Positioning Multi-Sensor



NDA-Compliant GSA ONVIF TAA S/G/T/M

## Overview

A single Roughneck® AI Multi-Sensor (with a single IP address and cable) replaces four separate cameras, at a fraction of the cost, to cover the same viewing area. For example, Vicon’s 32MP Multi-Sensor can take the place of four individual 8MP cameras. You’ll get the same overall coverage, but you’re reducing the time and expense of installation, setup, tuning and maintenance, because you’re doing these things once instead of four times.

The flexible lens positioning options allow one of the four cameras to point straight down, eliminating blind spots. And because you can remotely position all four multi-sensor cameras in minutes—right from your desk—you’re not dependent on an onsite technician just to reposition a camera.

## AI ANALYTICS INSIDE

### Perform more meaningful post-event forensic searches with object classification analytics

The camera’s object classification analytics allow it to distinguish people and vehicles from other objects in a scene. Object-only recording, and the ability to filter out “environmental noise” that can trigger a motion detection alarm (e.g., shadows, swaying trees and bushes, etc.), significantly increases operational efficiencies.

The result?

- Filter out non-relevant video for faster incident resolution
- Reduce storage requirements (by limiting recording to just object-based motion)
- Diminish nuisance alarms
- Respond to genuine threats quicker, and with fewer resources

vicon-security.com

## Product at a Glance

- ▶ Four 5 MP or 8 MP sensors deliver an impressive 20 MP or 32 MP overall resolution
- ▶ Setup and reposition cameras in minutes, right from your computer
- ▶ Pre-defined presets deliver 180°, 270° and 360° views, and you can define additional presets of your own
- ▶ Starlight low-light technology delivers color images in near total darkness - no need for the camera to switch to B&W mode
- ▶ Integrated IR provides uniform illumination in total darkness for high-quality video from 131 feet (40 m) away
- ▶ Four independent sensors, but only a single IP and Ethernet cable required



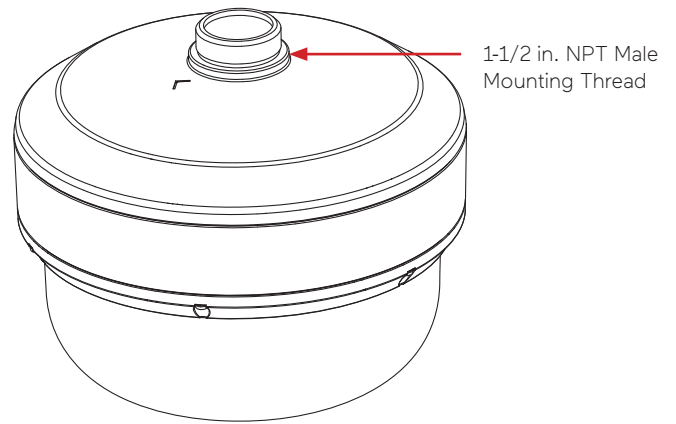
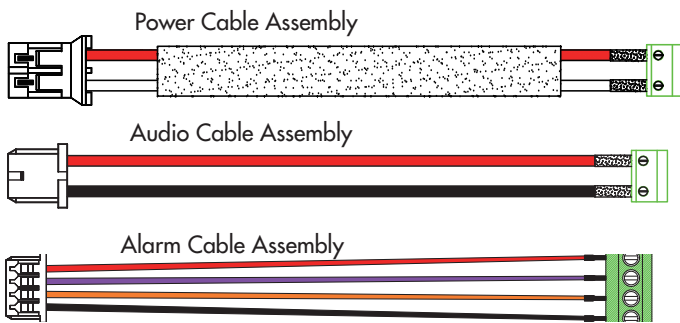
## Specifications

Model	V2020-WIR-360	V2032-WIR-360
<b>Camera</b>		
Device Type:	Indoor/outdoor multi-sensor panoramic cameras	
Image Sensor:	4X 1/2.8" 5 MP CMOS progressive scan Starlight	4X 1/1.8" 8 MP CMOS progressive scan Starlight
Max Resolution:	4X 2592 x 1944 (5 MP)	4X 3840 x 2160 (8 MP)
Image Settings:	WDR (120 dB ). BLC. Configurable brightness, contrast, saturation, sharpness. Mirror. Flip. White balance. Exposure. Gain Control. Privacy masks (5). Day/night, True day/night ICR. Audio. Event handler and notifications.	
Video Content Analysis:	Video Motion Detection (VMD; 5 areas); Motion, Tampering/Defocus, Intrusion, Loitering, Line Cross, Tailgating, Object Left/Removed, Crowding. Museum Search.	
AI-Based Object Classification Analytics:	Vehicles, people, animals	
Electronic Shutter Speed:	1/7 ~ 1/20,000 sec	
Day/Night Performance:	True Day/Night with mechanical IR cut filter; Auto, Forced Day, Forced Night and Scheduled	
Wide Dynamic Range (WDR):	120 dB, True WDR	
IR Distance:	Up to 131 ft (40 m)	
Min Illumination @30 IRE:	Color: 0.03 lux; B/W: 0.01 lux, IR Off; 0 lux, IR On	Color: 0.02 lux; B/W: 0.01 lux, IR Off; 0 lux, IR On
Preset Positions:	360°, 270° Wide, 270° Tele, 180° Wide, 180° Tele, User Defined (2)	
Adjustment:	Remotely adjustable: Pan: 360°; tilt: 90°; each module can be positioned remotely along a track	
<b>Lenses</b>		
MFZ Lens:	4x 3.1 - 10 mm; 3.2X optical zoom	4x 3.6 - 10 mm; 2.8X optical zoom
Max Aperture:	f/1.4 - f/2.8	f/1.5 - f/2.8
Iris:	DC autoiris or P-iris (Manual/Auto)	P-iris (Manual/Auto)
Angle of View:	H: 32° (tele) - 96° (wide); V: 24° (tele) - 69° (wide)	H: 46° (tele) - 98° (wide); V: 26° (tele) - 54° (wide)
<b>Network Video Transmission</b>		
Network:	10/100 Mbps Ethernet; RJ-45	
Image Compression:	H.265/H.264 and M-JPEG	
Streaming:	Triple streaming	
Max. Frame Rate:	Up to 30 fps at 20 MP	Up to 30 fps at 32 MP
Audio:	Two way audio: 1 audio input, 1 audio output; G.711 8 KHz/8 bits	
Protocols:	IPv4/IPv6; TCP/IP; UDP; SNMP v2c/v3; HTTP; RTP; RTSP; RTCP; SMTP; HTTPS; UPnP; FTP; SSL; DNS; NTP; QoS; LDAP (client); DynDNS; Zeroconfig; ONVIF S/G/T/M	
Users:	Up to 10 clients	
Web Browser:	Internet Explorer®; Mozilla Firefox®; Google Chrome®	
Security:	Password protection, IP address filtering, HTTPS, IEEE 802.1X network access control	
Alarms	1 alarm input, 1 alarm output	
<b>Mechanical and Electrical</b>		
Pan/Tilt Range:	Remote adjustment: Pan: 360°; Tilt: 90° (Default value 83°)	
Construction:	Die-cast aluminum housing; polycarbonate dome	
Mounting:	Surface-mounted; mounting holes provided; includes mounting cap. Mounting options available.	
Controls and Connectors:	I/O cable assemblies supplied for power, audio (2X) and Alarms. PoE/Network: RJ-45. Alarm In/Out: terminal blocks. Power: 2-pin terminal block. Audio In/Out: phone jacks. SD card (2X).	
Dimensions:	H: 5.6 in. (142.3 mm); Diam: 9.7 in. (247.5 mm); refer to dimensional diagram	
Weight:	7.55 lb (3.425 kg)	
Input Power:	PoE++ (IEEE802.3bt Class 5); 24 VDC; 24 VAC	
Current:	1.7 A	
Power Consumption:	40 W max	

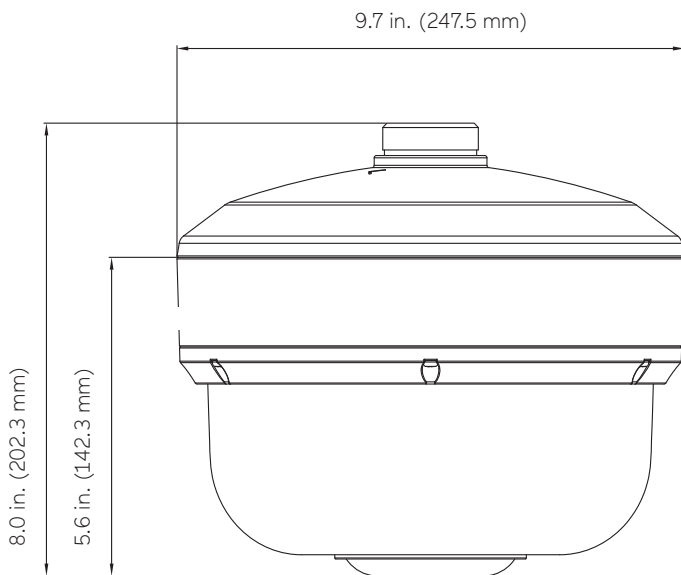
## Specifications (cont'd)

Model	V2020-WIR-360	V2032-WIR-360
<b>Environmental</b>		
Operating Conditions:	Temp: -40° to 131° F (-40° to 55° C) IR Off. Humidity: Up to 90%, relative, non-condensing.	
Approvals:	FCC Class A, CE, IP66, IK10; UL; ONVIF S/G/T/M	
Country of Origin:	Taiwan	
Warranty:	5 years	

## Connectors



## Dimensional Drawing



## Ordering Information

Model Number	Resolution	Lens	Environment
V2020-WIR-360	4X 2592 x 1944 pixels (20 megapixel)	4X 3.1-10 mm MFZ	Indoor/Outdoor
V2032-WIR-360	4X 3840 x 2160 pixels (32 megapixel)	4X 3.6-10 mm MFZ	Indoor/Outdoor
Model Number	Accessories Description		
V1001-WM	Wall mount for the V1000/V2000 series of multi-sensor cameras		
V1001-PM	Pendant mount for the V1000/V2000 series of multi-sensor cameras		
V2000-360-ICD	In-ceiling mount for installation in a drop ceiling		
V1001-ADAPT	Adapter plate; used when mounting the wall mount to the V-20B-A-4 pole mount or V-24CMB-4 corner mount bracket		
V-24CMB-4	Corner mounting bracket; adapter plate required		
V-20B-A-4	Pole mount adapter; adapter plate required		
SVFT-UPM-2	Parapet mount		
SVFT-UCM-1	Ceiling Mount; for mounting to a ceiling		
VPOE-INJ-60BT	Single-port PoE gigabit injector; compatible with IEEE802.3bt; 60 W output		
VPOE-INJ-90BT	Single-port PoE gigabit injector; compatible with IEEE802.3bt; 90 W output; NDAA compliant		



V1001-WM



V2000-360-ICD



V1001-PM



V1001-ADAPT



V-24CMB-4



V-20B-A-4



SVFT-UPM-2



SVFT-UCM-1

Data Sheet Number: V322-21-04

Vicon Data Sheet Number: 8009-7322-21-04

Specifications subject to change without notice.

Vicon, Roughneck and their logos are registered trademarks of Vicon Industries Inc.

Copyright © 2024 Vicon Industries Inc. All rights reserved.

Explorer is a registered trademark of Microsoft Corporation.

Chrome is a registered trademark of Google LLC.

Firefox is a registered trademark of Mozilla Corp.

Safari is a registered trademark of Apple Inc.