

Installation & Operation Manual

SVFT-UWM-1
Universal Wall Mount



XX140-01-00



Vicon Industries Inc. does not warrant that the functions contained in this equipment will meet your requirements or that the operation will be entirely error free or perform precisely as described in the documentation. This system has not been designed to be used in life-critical situations and must not be used for this purpose.

Document Number: 8009-8140-01-00 Product specifications subject to change without notice. Issued: 4/18 Copyright © 2018 Vicon Industries Inc. All rights reserved.

Vicon Industries Inc.
Tel: 631-952-2288) Fax: 631-951-2288
Toll Free: 800-645-9116
24-Hour Technical Support: 800-34-VICON
(800-348-4266) UK: 44/(0) 1489-566300
www.vicon-security.com

Introduction

The information in this instruction manual covers the installation of the SVFT-UWM-1 Universal Wall Mount for a variety of Vicon mounts. This mount should only be installed by a qualified technician using approved materials and wiring practices in accordance with the National Electrical Code ANSI/NFPA 70, state, and local electrical codes. Read these instructions thoroughly before beginning an installation.

The SVFT-UWM-1 is a medium duty mount suitable for indoor or outdoor installations.

Installation

Unpacking and Inspection

All Vicon equipment is tested and inspected before leaving the factory. It is the carrier's responsibility to provide suitable delivery. Inspect the cartons upon delivery and, if damage is present, make detailed notes on the carrier's bill. Then, obtain the carrier agent's signature and file a damage claim as soon as possible.

Open the cartons and inspect the equipment for damage. Save the cartons and packing material. If damage is present, contact the carrier and file a damage claim immediately. If the equipment must be returned to Vicon for repair, follow the instructions in the Shipping Information section of this manual.

Installation Preparation

The SVFT-UWM-1 Wall Mount has a 1-1/2-inch NPT-F American National Standard Tapered Pipe Thread (NPT). The dome housing is mounted to the SVFT-UWM in this pipe thread in accordance with the installation manual for the camera dome system.

The wall mount is designed to attach to a wall or other vertical surface. It has a mounting flange with a 4-hole pattern. Refer to Figure 1.

Cabling for power, control, and video must be run to the installation site before the mount is installed, since it is run through the mount to the interior of the dome assembly. The recommended method for cable routing is through the open back where the flange mounts to the vertical surface. If the surface is solid and impermeable, use the access hole provided to route cables. The supplied liquid tight fitting can be installed for indoor or outdoor applications which will provide a 0.7-inch (18 mm) diameter maximum clearance for cables. In addition, a standard 3/4-inch conduit fitting can be installed in this hole for indoor or outdoor applications.

Note: If more than one wire is routed through the fitting, place a bead of silicone sealant around the end of the fitting where the wires protrude to ensure a watertight seal.

Fastener Guidelines

This mount is designed to be attached with 3/8-inch (metric M9) bolts or lag screws. Bolts should extend through the structure with nuts and washers used on the opposite side. Studs should be either anchored in concrete or welded to steel. If the mount is to be attached to a blind structure, make certain that the fasteners used have a minimum pull-out strength of 1500 pounds (680 kg) each and are locked with washers. Never use lag screws in the end grain of wood.

1. If the surface is concrete, use 3/8-inch diameter lag bolts, flat and lock washers with concrete anchors.

2. If the surface is wood, use 3/8-16 bolts, nuts, flat and lock washers.
3. If the mount is to be attached to wooden beams, use 3/8-inch lag bolts not shorter than 2.5 inches (6.4 cm) with flat and lock washers.
4. If the mount is to be attached to steel beams or steel plate, use 3/8-16 bolts, nuts, flat and lock washers.

Note: Use stainless steel mounting hardware for units mounted outdoors.

Installation Procedure

1. Select a mounting location that meets the requirements stated above for support and access. The mount weighs 4.5 pounds (2.0 kg). Refer to the appropriate Product Specifications for the other components in the system for their weights. If using an existing accessory or adapter type mount, i.e., V24CMB-1 Corner Mounting Bracket, proceed to Step 5.

⚠ Caution: Mount this unit only to structural materials with sufficient strength to carry the weight of the unit.

2. Mark the locations for drilling the mounting bolt holes by using the mount base as a template.
3. Drill passage holes for the bolts or drill pilot holes for the lag screws.
4. Pass the cables through the vertical mounting surface as follows for the particular application:
 - a) If the surface is a solid wall, cut a hole just large enough to comfortably pass the cables.
 - b) If the surface is part of a mounting adapter, route the cables through the adapter and into the mount.
 - c) If the cables are being routed outside the mount's flange, route them through the mount's access hole. Remove the plastic plug, install the liquid tight fitting or conduit fitting, route the cables through the fitting, tighten the nut to compress the seal gland fitting and place a bead of silicone sealant around the end of the fitting.

Note: Verify that the selected mounting location is free of obstacles such as wiring or pipes.

5. Feed the cables through the mount so that at least two feet of cable projects from the end of the threaded pipe. Be careful not to scrape insulation off the cables as they are passed through the mount.
6. Put a generous bead of silicone sealant around the flange surface of the mount to prevent water from entering the mount. Place the silicone so that a continuous perimeter seal will be made when the mount is bolted to the mounting surface.
7. Line up the mounting holes and attach the mount to the supporting structure.
8. Carefully seal the perimeter edge of the mount after installation.

Note: Pay particular attention that all gaps are sealed if the SVFT-UWM is mounted to an irregular surface, such as a brick façade.

9. Install the dome housing onto the mount following the instructions in the manual for the camera dome system.
10. For high vandalism areas, lock the dome with the soft tip set screw supplied.

Maintenance

The SVFT-UWM-1 Wall Mount requires no maintenance.

Technical Information

MECHANICAL

Application:

Indoor or outdoor.

Mounting:

Wall or vertical structure.

Mounting Flange Thread:

Standard NPT-F thread to 1-1/2 in. pipe.

Dimensions:

See Figure 1.

Height (H): 11.6 in. (295 mm).

Width (W): 6.3 in. (160 mm).

Depth (D): 14.6 in. (371 mm).

Weight:

4.5 lb (2.0 kg).

Construction:

Cast aluminum.

Finish:

Painted white polyurethane.

ENVIRONMENTAL (Not evaluated by UL)

Storage Temperature Range:

-40° to 150° F (-40° to 60° C).

Storage Humidity Range:

0 to 90% relative, noncondensing.

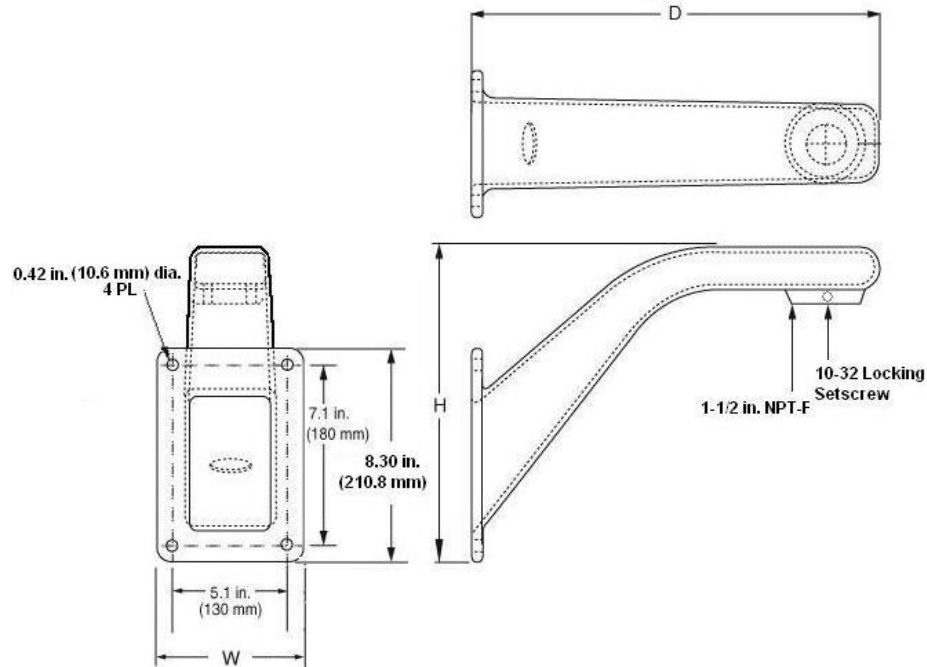


Figure 1
Maximum Outline Dimensions

Shipping Instructions

Use the following procedure when returning a unit to the factory:

1. Call or write Vicon for a Return Authorization (R.A.) at one of the locations listed below. Record the name of the Vicon employee who issued the R.A.

Vicon Industries Inc.
135 Fell Court
Hauppauge, NY 11788
Phone: 631-952-2288; Toll-Free: 1-800-645-9116; Fax: 631-951-2288

For service or returns from countries in Europe, contact:

Vicon Industries Ltd
Unit 4, Nelson Industrial Park,
Hedge End, Southampton
SO30 2JH, United Kingdom
Phone: +44 (0)1489/566300; Fax: +44 (0)1489/566322

2. Attach a sheet of paper to the unit with the following information:
 - a. Name and address of the company returning the unit
 - b. Name of the Vicon employee who issued the R.A.
 - c. R. A. number
 - d. Brief description of the installation
 - e. Complete description of the problem and circumstances under which it occurs
 - f. Unit's original date of purchase, if still under warranty
3. Pack the unit carefully. Use the original shipping carton or its equivalent for maximum protection.
4. Mark the R.A. number on the outside of the carton on the shipping label.

Vicon Standard Equipment Warranty

Vicon Industries Inc. (the "Company") warrants your equipment to be free from defects in material and workmanship under Normal Use from the date of original retail purchase for a period of three years, with the following exceptions:

1. All IQEYE Cameras: Two years if purchased before 1/1/2011.
2. Alliance-mini (IQD3xx), Alliance-mx (IQMxxx) and 3 Series (IQ03xx): Five years if purchased between 1/2/2011 – 12/31/2014.
3. Alliance-Pro (IQA3xx): Five years if purchased between 3/2/2012 – 12/31/2014. Three years if the motorized lens (IQA3xx-A3) option.
4. Access Control System Components: Two year from date of original retail purchase.
5. Uninterruptible Power Supplies: Two years from date of original retail purchase.
6. VDR-700 Recorder Series: One year from date of original retail purchase.
7. V5616MUX: One year from date of original retail purchase.
8. Arecont Cameras: One year from date of original retail purchase.
9. FMC series fiber-optic media converters and associated accessories: Lifetime warranty.
10. For PTZ cameras, "Normal Use" excludes prolonged use of lens and pan-and-tilt motors, gear heads, and gears due to continuous use of "autopan" or "tour" modes of operation. Such continuous operation is outside the scope of this warranty.
11. Any product sold as "special" or not listed in Vicon's commercial price list: One year from date of original retail purchase.

NOTE:

- If the product is to be used outdoors or in dusty, humid, or other hostile environments, it must be suitably protected.
- Camera products must be protected, whether in use or not, from exposure to direct sunlight or halogen light as the light may damage the camera image sensor. This applies to both indoor and outdoor use of the cameras.
- For camera products supplied without a lens, extreme care should be used when mounting a lens on these products. Damage to the product due to incorrectly mounted lenses will invalidate this limited hardware warranty.
- Failure to comply with any of the aforementioned requirements will invalidate this Limited Hardware Warranty.

Date of retail purchase is the date original end-user takes possession of the equipment, or, at the sole discretion of the Company, the date the equipment first becomes operational by the original end-user.

The sole remedy under this Warranty is that defective equipment be repaired or (at the Company's option) replaced, at Company repair centers, provided the equipment has been authorized for return by the Company, and the return shipment is prepaid in accordance with policy. Repaired or replacement hardware will be warranted for the remainder of the original Warranty Period or ninety (90) days, whichever is longer. When a product or part is exchanged the replacement hardware becomes the property of the original purchaser and all hardware or part thereof that is replaced shall become the property of Vicon.

The warranty does not apply (a) to faulty and improper installation, maintenance, service, repair and/or alteration in any way that is not contemplated in the documentation for the product or carried out with Vicon consent in writing, operation adjustments covered in the operating manual for the product or normal maintenance, (b) to cosmetic damages, (c) if the product is modified or tampered with, (d) if the product is damaged by acts of God, misuse, abuse, negligence, accident, normal wear and tear and deterioration, improper environmental conditions (including, but not limited to, electrical surges, water damage, chemical exposure, an/or heat/cold exposure) or lack of responsible care, (e) if the product has had the model or serial number altered, defaced or removed, (f) to consumables (such as storage media or batteries) (g) to products that have been purchased "as is" and Vicon the seller or the liquidator expressly disclaim their warranty obligation pertaining to the product, (h) to any non-Vicon hardware product or any software (irrespective of packaged or sold with Vicon hardware product) and Vicon products purchased from an unauthorized distributor/reseller, (i) to damage that occurs in shipment or (j) to damages by any other causes not related to defective design, workmanship and/or materials.

The warranty for the products shall run from Vicon to End User customers only (including product purchased through authorized partners and resellers). Vicon is not obligated under any circumstances to honor warranties on product(s) purchases from internet auction sites including eBay, uBid or from any other unauthorized resellers. Except as explicitly provided herein, Vicon disclaims all other warranties, including the implied warranties of fitness for a particular purpose and merchantability.

Software supplied either separately or in hardware is furnished on an "As Is" basis. Vicon does not warrant that such software shall be error (bug) free. Software support via telephone, if provided at no cost, may be discontinued at any time without notice at Vicon's sole discretion. Vicon reserves the right to make changes to its software in any of its products at any time and without notice.

The Warranty and remedies provided above are exclusive and in lieu of all other express or implied warranties including, but not limited to, the implied warranties of merchantability or fitness for a particular purpose. Certain jurisdictions do not allow the exclusion of implied warranties. If laws under such jurisdictions apply, then all express and implied warranties are limited to the warranty period identified above. Unless provided herein, any statements or representations made by any other person or firm are void. Except as provided in this written warranty and to the extent permitted by law, neither Vicon nor any affiliated shall be liable for any loss, (including loss of data and information), inconvenience, or damage, including, but not limited to, direct, special, incidental or consequential damages, resulting from the use or inability to use the Vicon product, whether resulting from breach of warranty or any other legal theory. Notwithstanding the foregoing, Vicon total liability for all claims under this warranty shall not exceed the price paid for the product. These limitations on potential liabilities have been an essential condition in setting the product.

No one is authorized to assume any liability on behalf of the Company, or impose any obligations on it in connection with the sale of any Goods, other than that which is specified above. In no event will the Company be liable for indirect, special, incidental, consequential, or other damages, whether arising from interrupted equipment operation, loss of data, replacement of equipment or software, costs or repairs undertaken by the Purchaser, or other causes.

This warranty applies to all sales made by the Company or its dealers and shall be governed by the laws of New York State without regard to its conflict of laws principles. This Warranty shall be enforceable against the Company only in the courts located in the State of New York.

The form of this Warranty is effective August 1, 2015.

THE TERMS OF THIS WARRANTY APPLY ONLY TO SALES MADE WHILE THIS WARRANTY IS IN EFFECT. THIS WARRANTY SHALL BE OF NO EFFECT IF AT THE TIME OF SALE A DIFFERENT WARRANTY IS POSTED ON THE COMPANY'S WEBSITE, WWW.VICON-SECURITY.COM. IN THAT EVENT, THE TERMS OF THE POSTED WARRANTY SHALL APPLY EXCLUSIVELY.



VICON INDUSTRIES INC.

For office locations, visit the website: www.vicon-security.com

