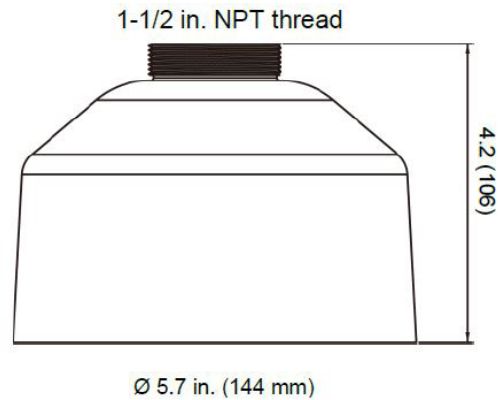


Vicon's Roughneck and Roughneck AI line of cameras offer a variety of mounting options for increased installation versatility. These include wall mounting, pendant mounting, in-ceiling mounting, backboxes and adaptor plates for installation on electrical boxes.

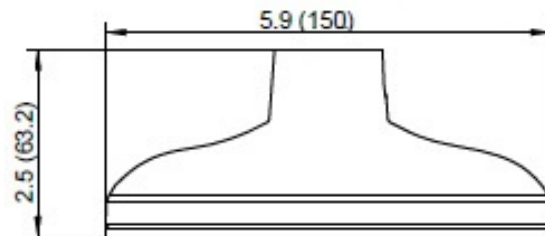


V2XXXD-PM PENDANT CAP



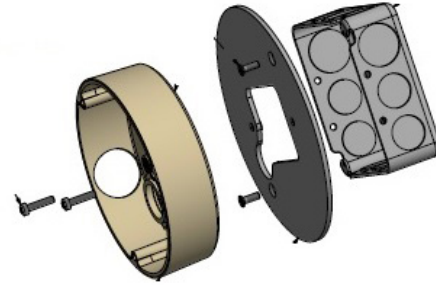
- ▶ Allows the V2000D/Micro Dome and V2100D varifocal domes to be pendant mounted
- ▶ Compatible with SVFT-WM-1/UWM-1/UPM-2/UCM-1 (1-1/2" thread), V1001-PM, V2XXXD-ADAPT; V-24CMB-4 and V-20B-A-4 with SVFT mount
- ▶ Dimensions: 4.2 in. (106 mm) height; 5.7 in. (144 mm) width
- ▶ Weight: 0.9 lb (0.4 kg)
- ▶ Construction: Aluminum

V2000D-PM PENDANT MOUNT



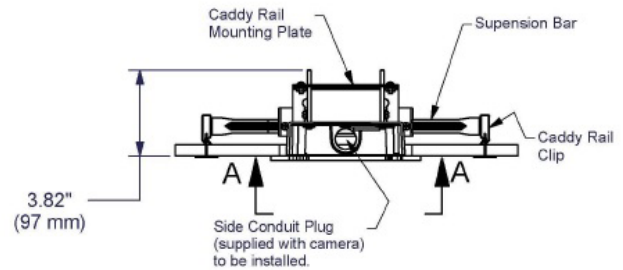
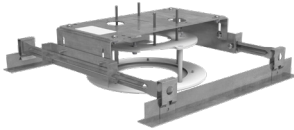
- ▶ Allows the V2360W-12-1 to be pendant mounted
- ▶ Compatible with SVFT-WM-1/UWM-1/ SVFT-UPM-2 (1-1/2" thread); V-24CMB-4 and V-20B-A-4 with SVFT mount
- ▶ Dimensions: 2.5 in. (63.2 mm) height; 5.9 in. (150 mm) width
- ▶ Weight: 1 lb (0.45 kg)
- ▶ Construction: Aluminum

V2000D-PLATE



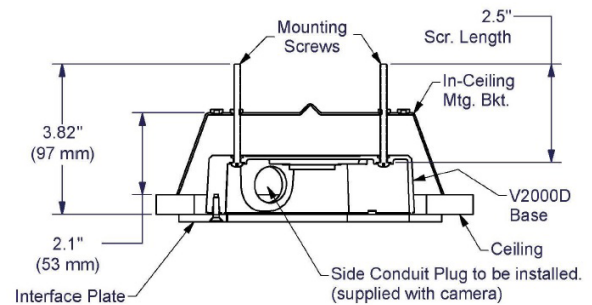
- ▶ Allows the V2000D to be installed on a 4x4 electrical box
- ▶ Dimension: Ø 6.25 in. (158.75 mm)
- ▶ Weight: 1 lb (0.45 kg)
- ▶ Construction: Aluminum

V2000D-ICD IN-CEILING MOUNT



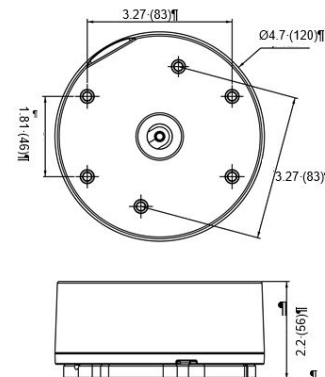
- ▶ Allows the V2000D to be installed in a dropped ceiling
- ▶ Kit contains mounting bracket and all required hardware
- ▶ Height: 3.82 in. (97 mm)
- ▶ Weight: 2.75 lb (1.25 kg)

V2000D-ICH IN-CEILING MOUNT



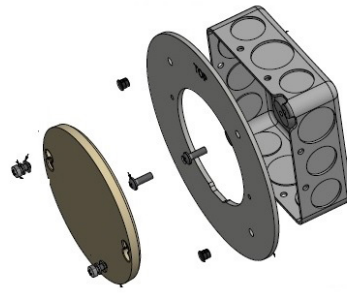
- ▶ Allows the V2000D to be installed in a hard ceiling
- ▶ Kit contains mounting bracket and all required hardware
- ▶ Height: 3.82 in. (97 mm)
- ▶ Weight: 0.72 lb (0.33 kg)

V2000D-MICRO-BOX



- ▶ Backbox for ease of cabling for the V2000D Micro Dome
- ▶ Two 3/4" NPT cable access holes
- ▶ Construction: Aluminum
- ▶ Dimensions: Ø 4.7 in. (120 mm); 2.2 in. (56 mm) height
- ▶ Weight: 1 lb (0.45 kg)

V2000D-MICRO-PLATE



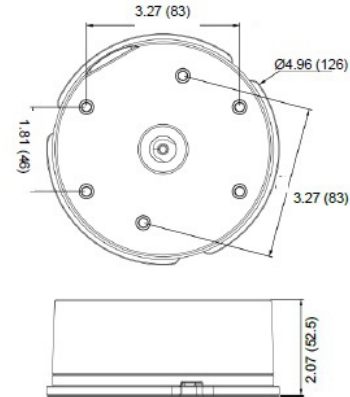
- ▶ Allows the V2000D Micro Dome to be installed on a 4x4 electrical box
- ▶ Construction: Aluminum
- ▶ Dimension: Ø 6.5 in. (165.1 mm)
- ▶ Weight: 1 lb (0.45 kg)

V2XXXD-ADAPT



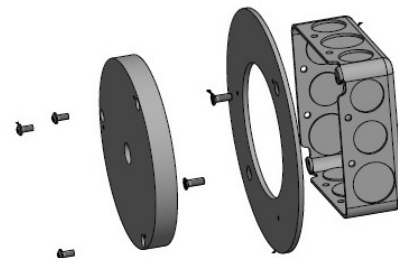
- ▶ Allows the V2000D Micro Dome to be installed on the V2XXXD-PM
- ▶ Construction: Aluminum
- ▶ Dimension: Ø 5.25 in. (133.35 mm)
- ▶ Weight: 0.45 lb (0.2 kg)

V2100D-BOX



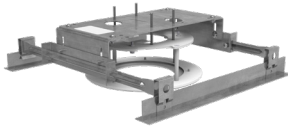
- ▶ Backbox for ease of cabling for the V2100D dome camera
- ▶ Two 3/4" NPT cable access holes
- ▶ Construction: Aluminum
- ▶ Dimensions: Ø 4.96 in. (126 mm); 2.07 in. (52.5 mm) height
- ▶ Weight: 1 lb (0.45 kg)

V2100D-PLATE

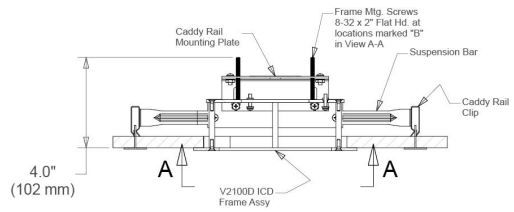


- ▶ Allows the V2100D to be installed on a 4x4 electrical box
- ▶ Construction: Aluminum
- ▶ Dimension: Ø 6.25 in. (158.75 mm)
- ▶ Weight: 1 lb (0.45 kg)

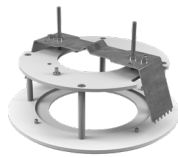
V2100D-ICD IN-CEILING MOUNT



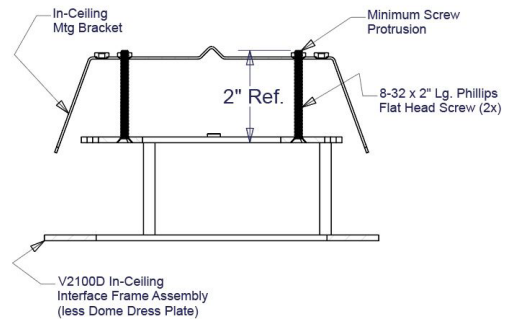
- ▶ Allows the V2100D to be installed in a dropped ceiling
- ▶ Kit contains mounting bracket and all required hardware
- ▶ Height: 3.88 in. (99 mm)
- ▶ Weight: 2.75 lb (1.25 kg)



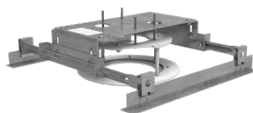
V2100D-ICH IN-CEILING MOUNT



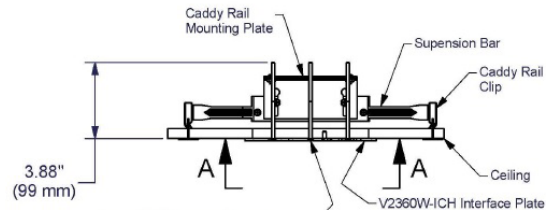
- ▶ Allows the V2100D to be installed in a hard ceiling
- ▶ Kit contains mounting bracket and all required hardware
- ▶ Height: 3.88 in. (99 mm)
- ▶ Weight: 0.72 lb (0.33 kg)



V2360W-ICD IN-CEILING MOUNT



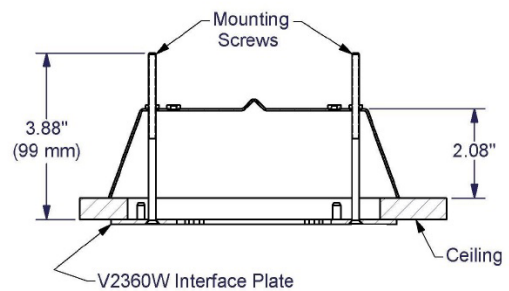
- ▶ Allows the V2360W-12-1 to be installed in a dropped ceiling
- ▶ Kit contains mounting bracket and all required hardware
- ▶ Height: 3.88 in. (99 mm)
- ▶ Weight: 2.75 lb (1.25 kg)



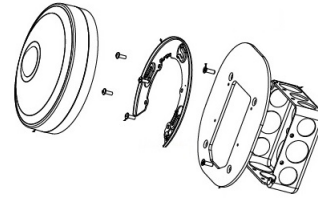
V2360W-ICH IN-CEILING MOUNT



- ▶ Allows the V2360W-12-1 to be installed in a hard ceiling
- ▶ Kit contains mounting bracket and all required hardware
- ▶ Height: 3.88 in. (99 mm)
- ▶ Weight: 0.72 lb (0.33 kg)



V2360W-PLATE

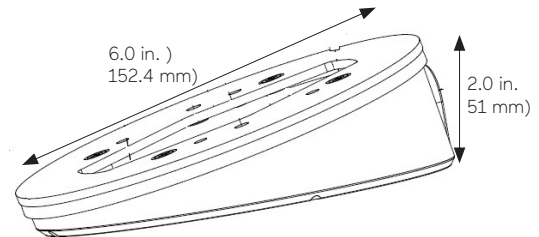


- ▶ Allows the V2360W-12-1 to be installed on a 4x4 electrical box
- ▶ Construction: Aluminum
- ▶ Dimension: Ø 6.5 in. (165.1 mm)
- ▶ Weight: 1 lb (0.45 kg)

V2XXX-WDG



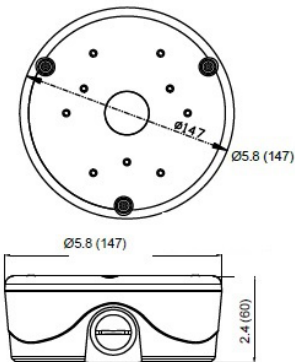
V2XXX-WDG-PLATE



- ▶ Allows the V2360W-12-1/V2000D Micro Dome to be surface mounted on a tilt to maintain full view
- ▶ Construction: Aluminum and steel
- ▶ Dimension: Ø 6.0 in. (152.4 mm); 2 in. (51 mm) height
- ▶ Weight: 0.85 lb (0.39 kg)

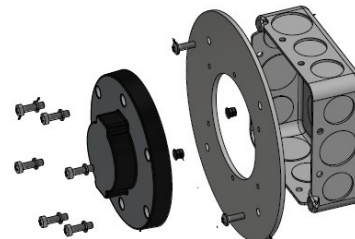
- ▶ Allows the V2XXX-WDG to be mounted on a 4x4 electrical box
- ▶ Construction: Aluminum
- ▶ Dimension: Ø 6.0 in. (152.4 mm)
- ▶ Weight: 0.3 lb (0.14 kg)

V2000B-BOX



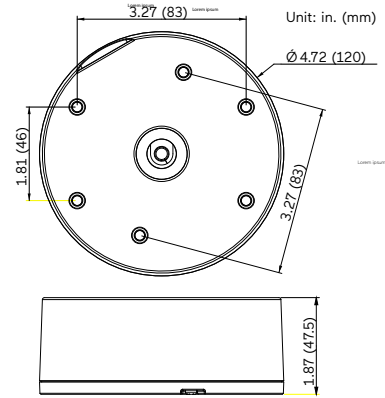
- ▶ Backbox for ease of cabling for the V2000B bullet and V2360W-12-1 panoramic cameras; compatible with V-24CMB-4 and V-20B-A-4
- ▶ Two 3/4" NPT cable access holes
- ▶ Construction: Aluminum
- ▶ Dimensions: Ø 5.8 in. (147 mm); 2.4 in. (60 mm) height
- ▶ Weight: 2 lb (0.90 kg)

V2000B-PLATE



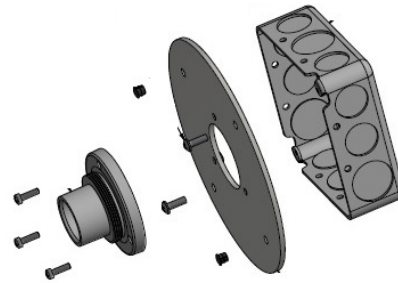
- ▶ Allows the V2000B to be installed on a 4x4 electrical box
- ▶ Construction: Aluminum
- ▶ Dimension: Ø 6.25 in. (158.75 mm)
- ▶ Weight: 1 lb (0.45 kg)

V2100B-BOX



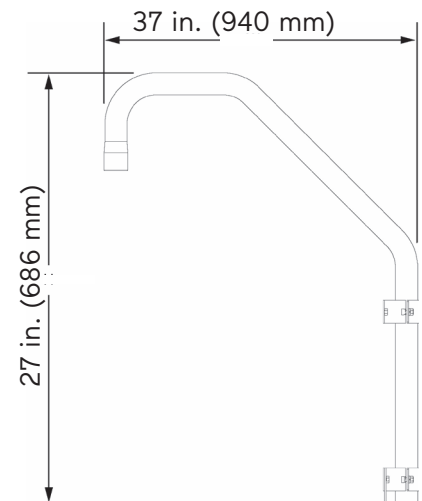
- ▶ Backbox for ease of cabling for the V2100B bullet camera; compatible with V-24CMB-4 and V-20B-A-4
- ▶ Two 1/2" NPT cable access holes
- ▶ Construction: Aluminum
- ▶ Dimensions: $\text{Ø } 4.72 \text{ in. (120 mm)}$; $1.87 \text{ in. (47.5 mm)}$ height
- ▶ Weight: 1 lb (0.45 kg)

V2100B-PLATE



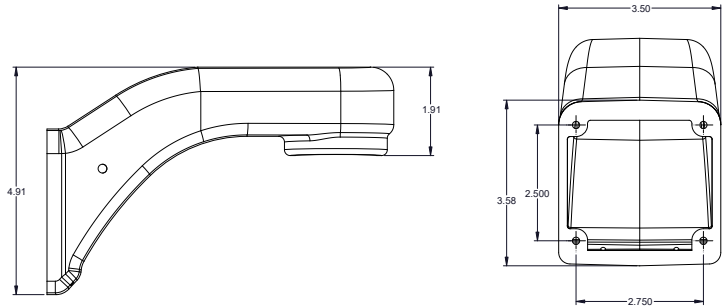
- ▶ Allows the V2100B to be installed on a 4x4 electrical box
- ▶ Dimension: $\text{Ø } 6.25 \text{ in. (158.75 mm)}$
- ▶ Construction: Aluminum
- ▶ Weight: 1 lb (0.45 kg)

SVFT-UPM-2



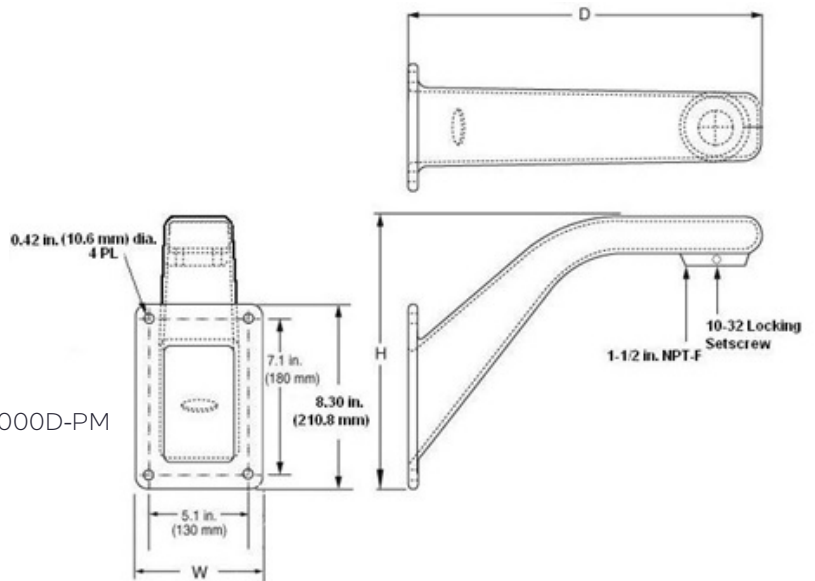
- ▶ Compatible with the V2000D-PTZ; V2000D, V2100D, V2360W-12-1 with V2XXXD-PM/V2000D-PM
- ▶ Parapet mounting camera domes
- ▶ Aluminum and steel construction
- ▶ 1-1/2-inch NPT-F pipe thread
- ▶ Dimensions: Height: 37 in. (940 mm) ; Width: 27 in. (686 mm)
- ▶ Weight: 7.6 lb (3.4 kg)

SVFT-WM-1



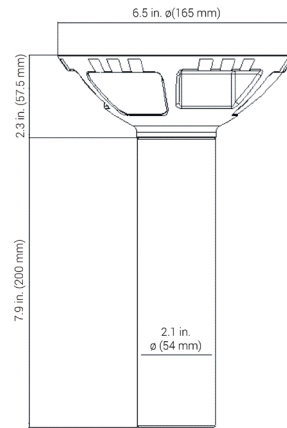
- ▶ Compatible with the V2000D-PTZ; V2000D, V2100D, V2360W-12-1 with V2XXXD-PM/V2000D-PM
- ▶ Wall mounting camera domes
- ▶ Cast aluminum construction
- ▶ 1-1/2-inch NPT-F pipe thread
- ▶ Dimensions: Height: 4.9 in. (124 mm); Width: 3.5 in. (89 mm); Depth: 7.5 in. (191 mm)
- ▶ Weight: 1.4 lb (0.6 kg)

SVFT-UWM-1



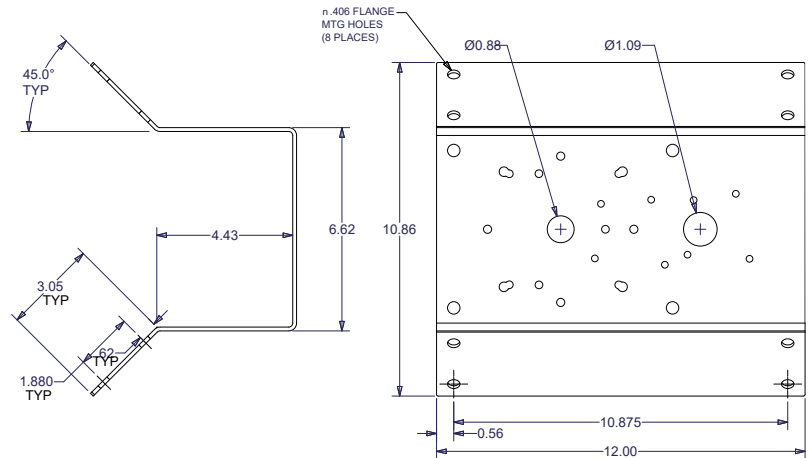
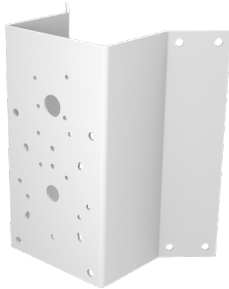
- ▶ Compatible with the V2000D-PTZ; V2000D, V2100D, V2360W-12-1 with V2XXXD-PM/V2000D-PM
- ▶ Wall mounting camera domes
- ▶ Cast aluminum construction
- ▶ 1-1/2-inch NPT-F pipe thread
- ▶ Dimensions: Height: 11.6 in. (295 mm); Width: 6.3 in. (160 mm); Depth: 14.6 in. (371 mm)
- ▶ Weight: 4.5 lb (2.0 kg)

V1001-PM PENDANT MOUNT



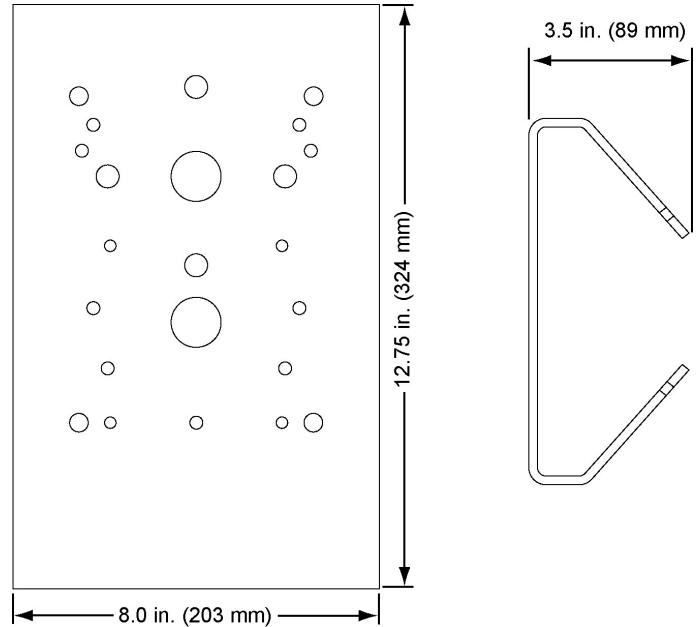
- ▶ Allows the V2000D/V2100D with V2XXXD-PM and V2000D-PTZ to be pendant mounted
- ▶ Dimensions: 10.2 in. (257.5 mm) height; 6.5 in. (165 mm) Ø
- ▶ Weight: 3 lb (1.36 kg)
- ▶ Construction: Aluminum

V-24CMB-4



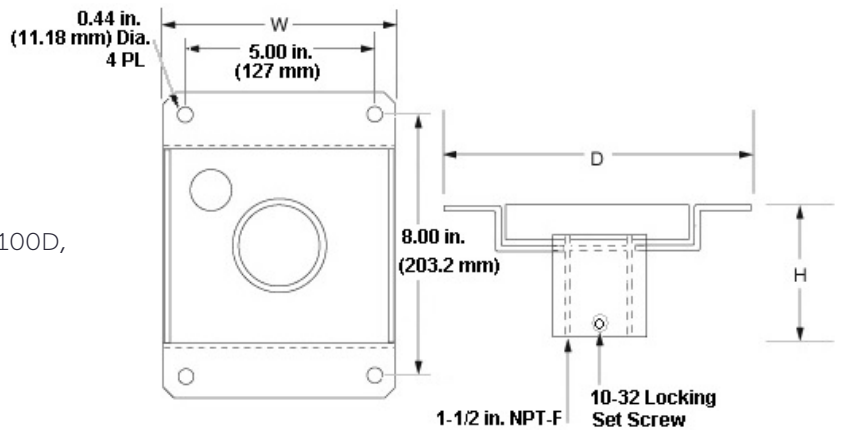
- ▶ For corner mounting V2000D, V2100D, V2360W-12-1with SVFT-WM-1/UWM-1/UPM-2 when used with V2XXXD-PM/V2000D-PM; V2000D-PTZ; compatible with V2000B, V2100B, V2000B-BOX and V2100B-BOX
- ▶ Corrosion-protected steel construction
- ▶ Dimensions: Height: 6.6 in. (168 mm); Width: 12 in. (305 mm)
- ▶ Weight: 8.2 lb (3.7 kg)

V-20B-A-4



- ▶ For pole mounting V2000D, V2100D, V2360W-12-1 with SVFT-WM-1/UWM-1/UPM-2 when used with V2XXXD-PM/V2000D-PM; V2000D-PTZ; compatible with V2000B, V2100B, V2000B-BOX and V2100B-BOX
- ▶ Aluminum construction
- ▶ Fits 4 - 10 in. diameter poles
- ▶ Dimensions: Height: 12.75 in. (324 mm); Width: 8 in. (203 mm); Depth: 3.5 in. (89 mm)
- ▶ Weight: 3.7 lb (1.7 kg)

SVFT-UCM-1



- ▶ For ceiling mounting V2000D/Micro Dome, V2100D, V2360W-12-1 with V2XXXD-PM/V2000D-PM; V2000D-PTZ
- ▶ Carbon steel construction
- ▶ 1-1/2-inch NPT-F pipe thread
- ▶ Dimensions: Height: 3.0 in. (76 mm); Depth: 9.1 in. (231 mm); Width: 6.0 in. (152 mm)
- ▶ Weight: 3.3 lb (1.5 kg)

Data Sheet Number: V318-90-07
 Vicon Data Sheet Number: 8009-7318-90-07

Specifications subject to change without notice.
 Vicon and their logos are registered trademarks of Vicon Industries Inc.
 Copyright © 2023 Vicon Industries Inc. All rights reserved.
 vicon-security.com